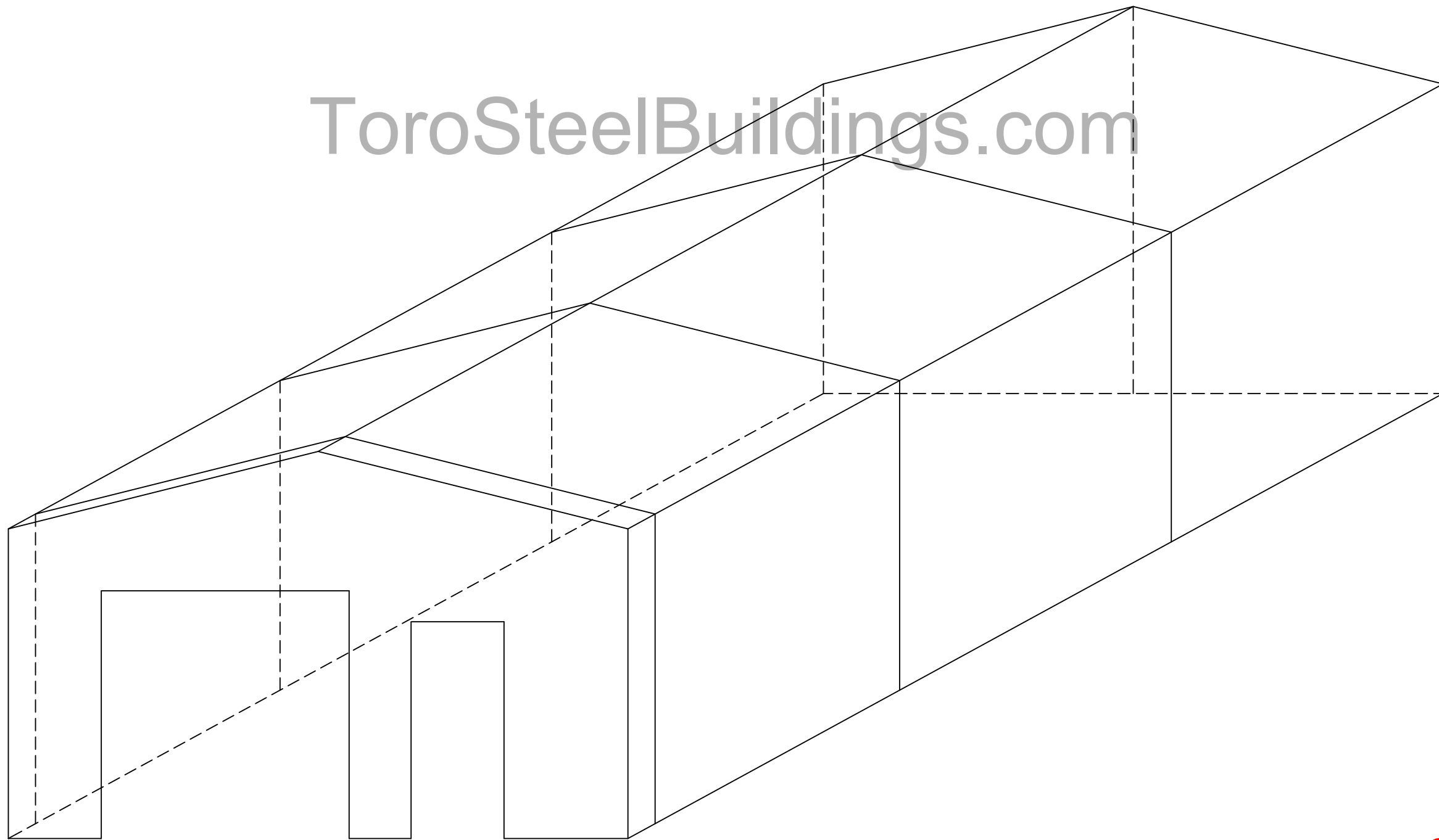


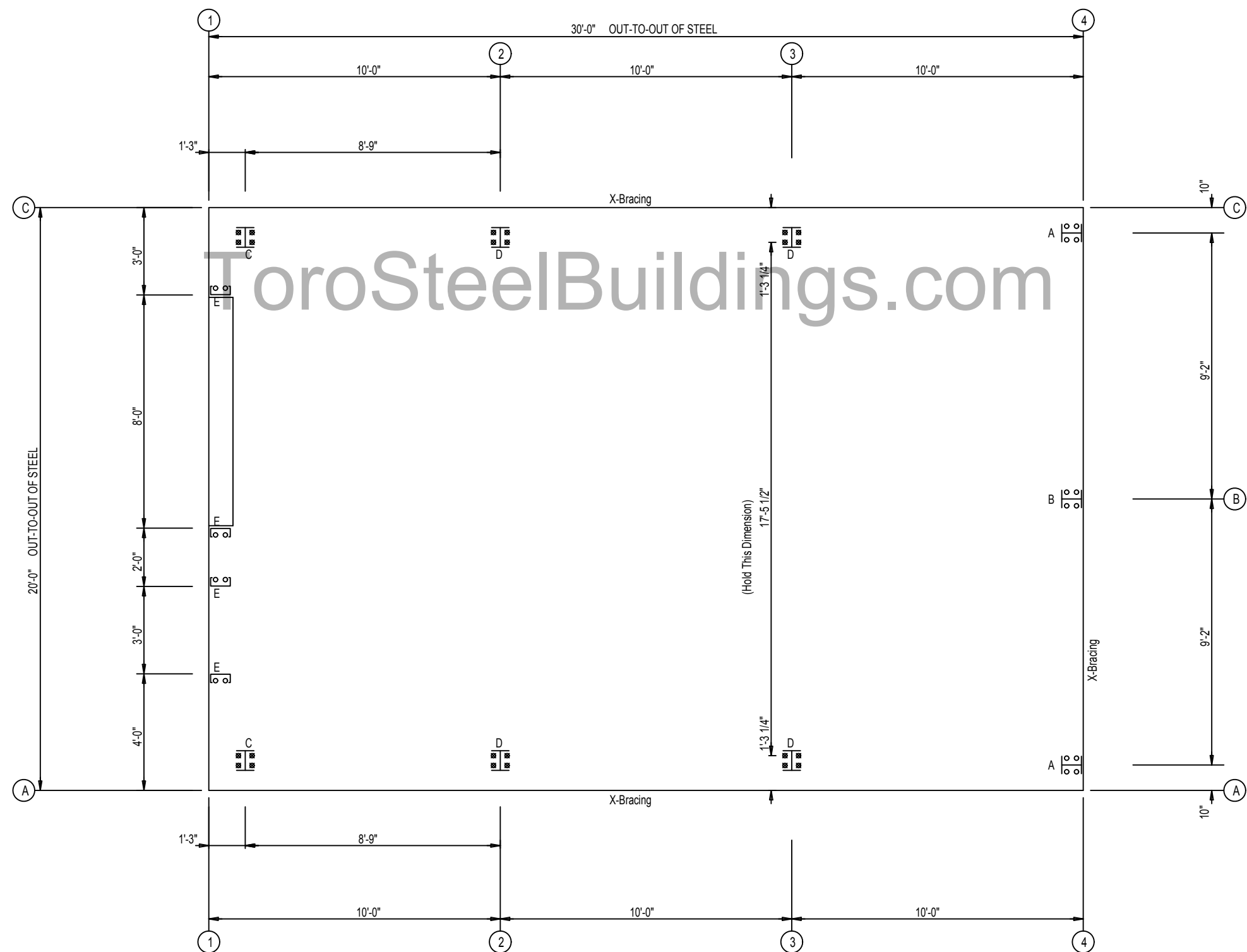
ToroSteelBuildings.com



NOT FOR CONSTRUCTION

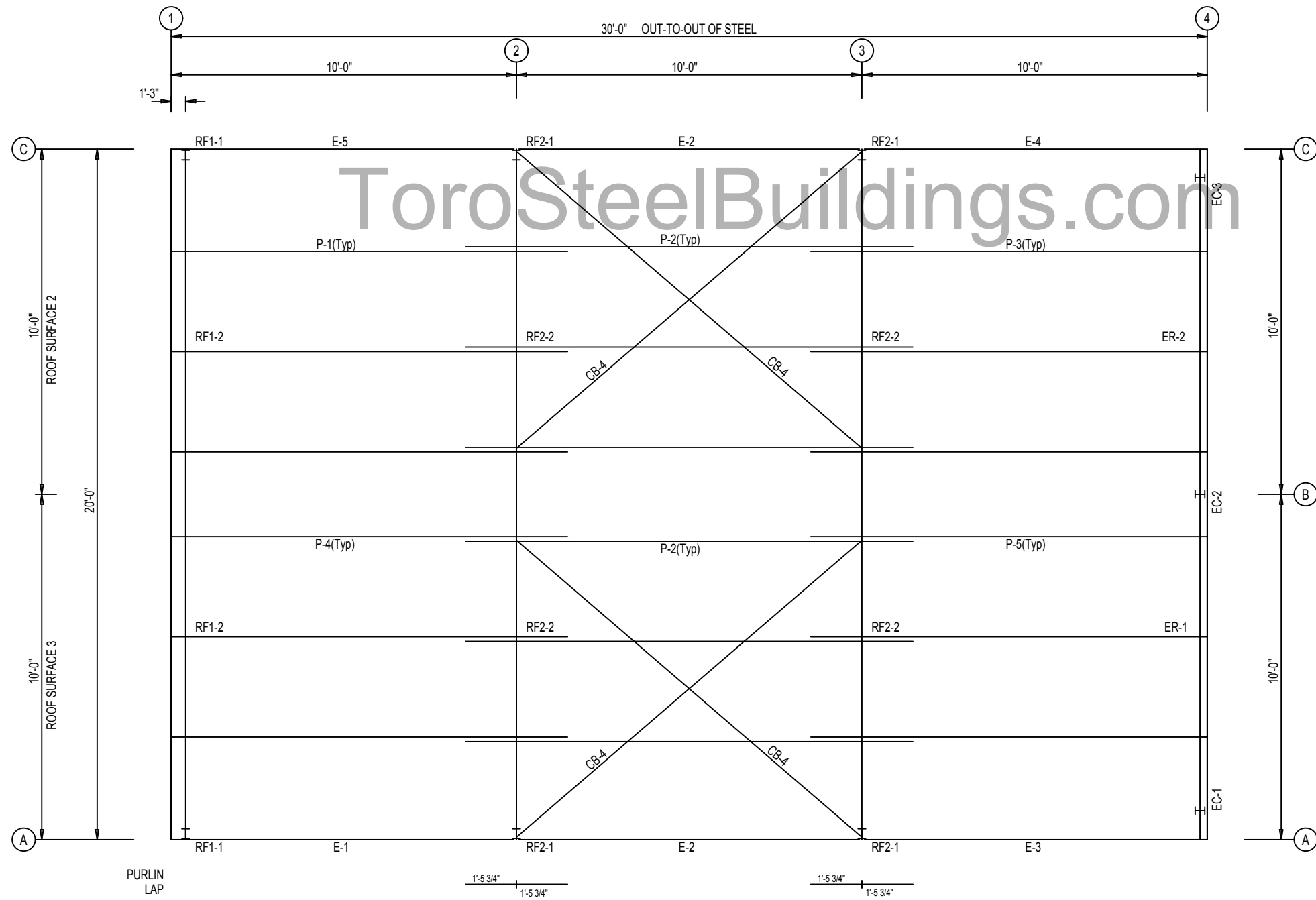
○ Dia= 5/8"

⊗ Dia= 3/4"

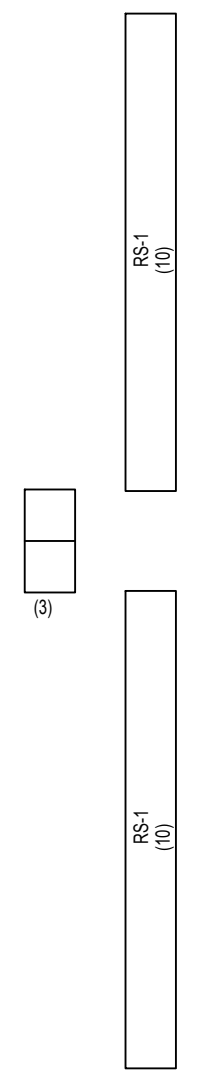


ANCHOR BOLT PLAN

NOT FOR CONSTRUCTION

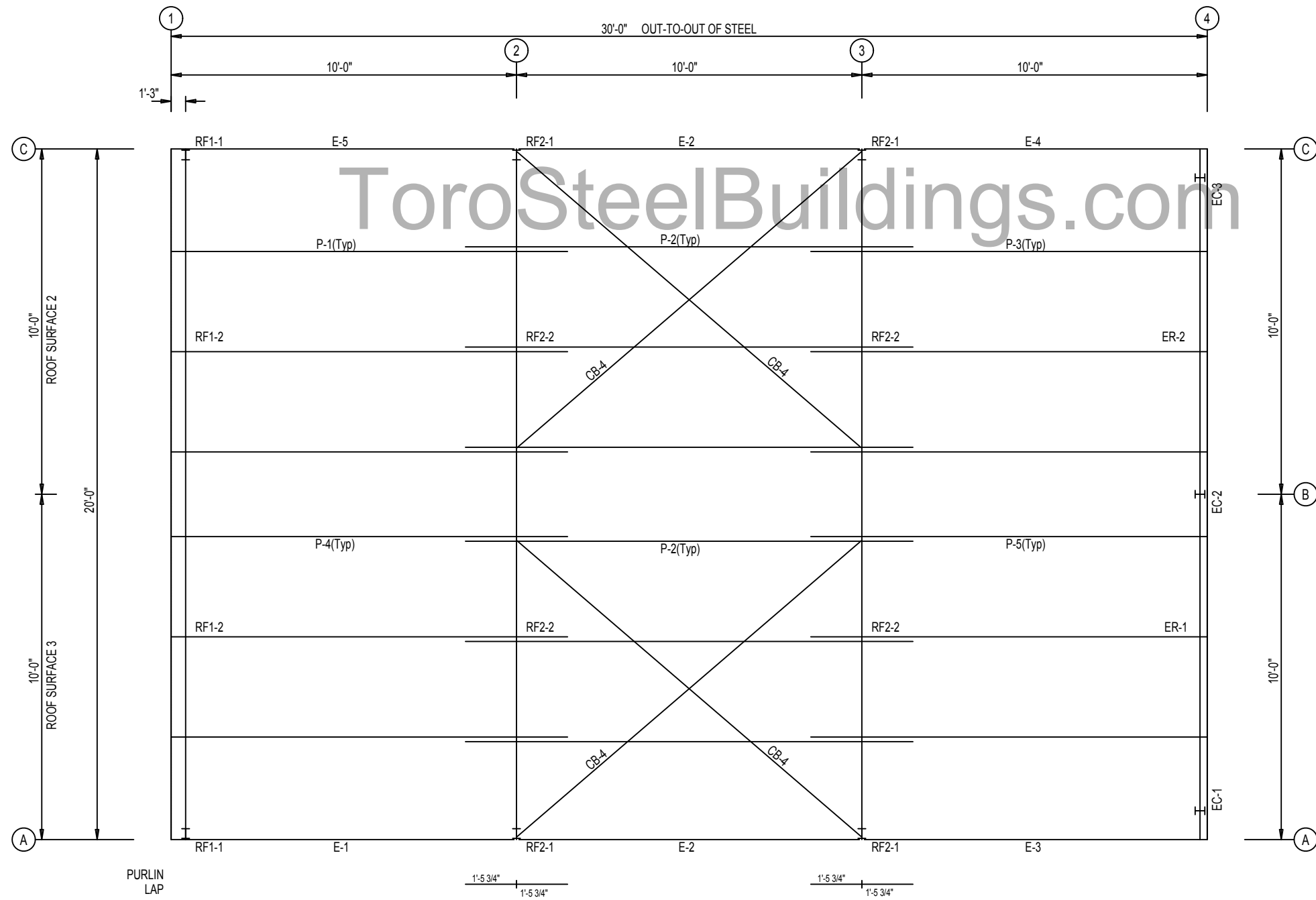


ROOF FRAMING PLAN

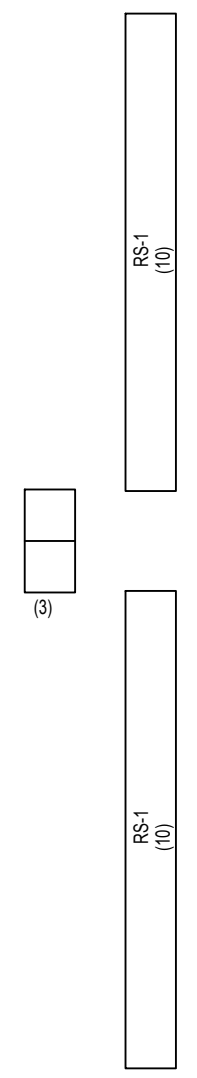


ROOF SHEETING
 PANELS: 26 Gauge PBR Galvalume

NOT FOR CONSTRUCTION



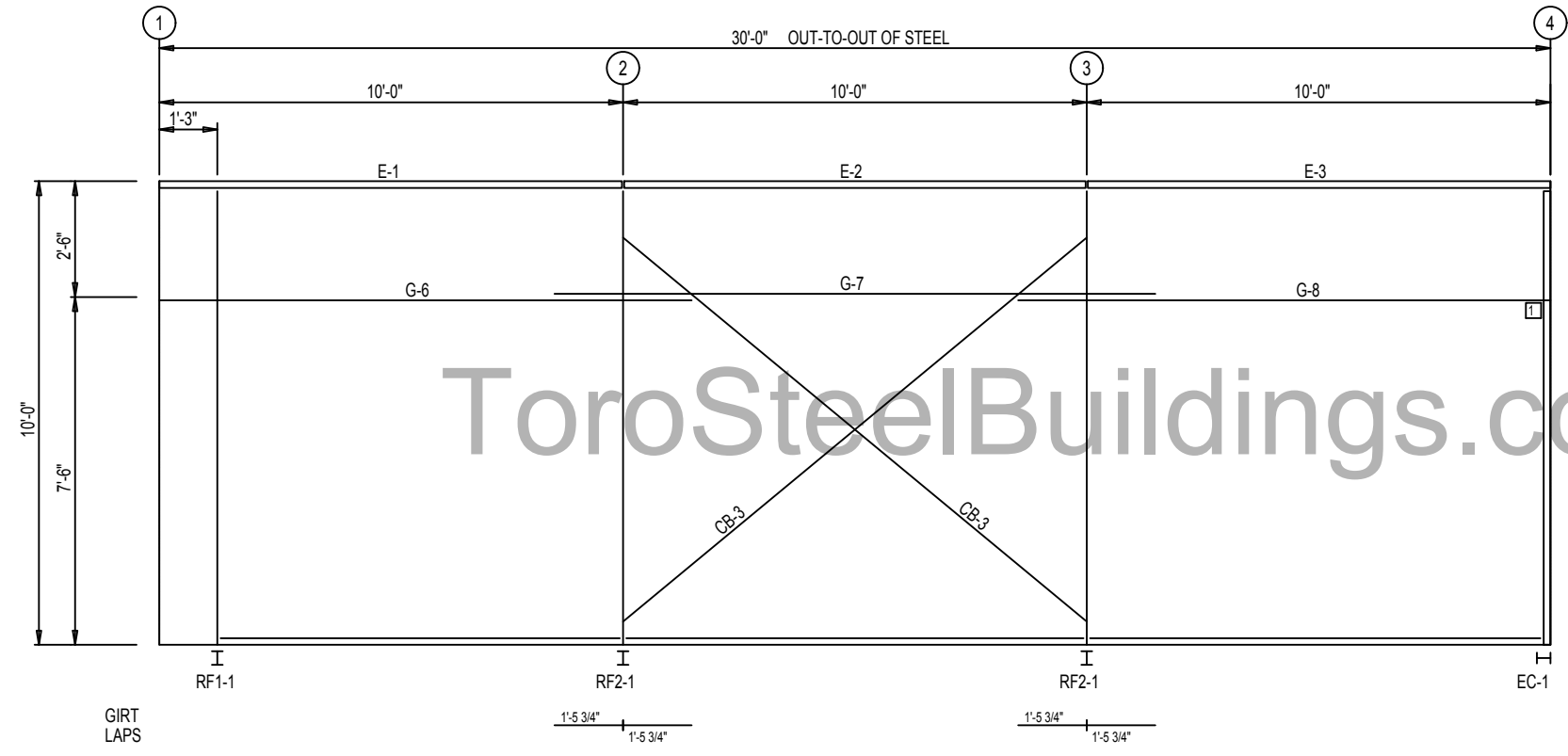
ROOF FRAMING PLAN



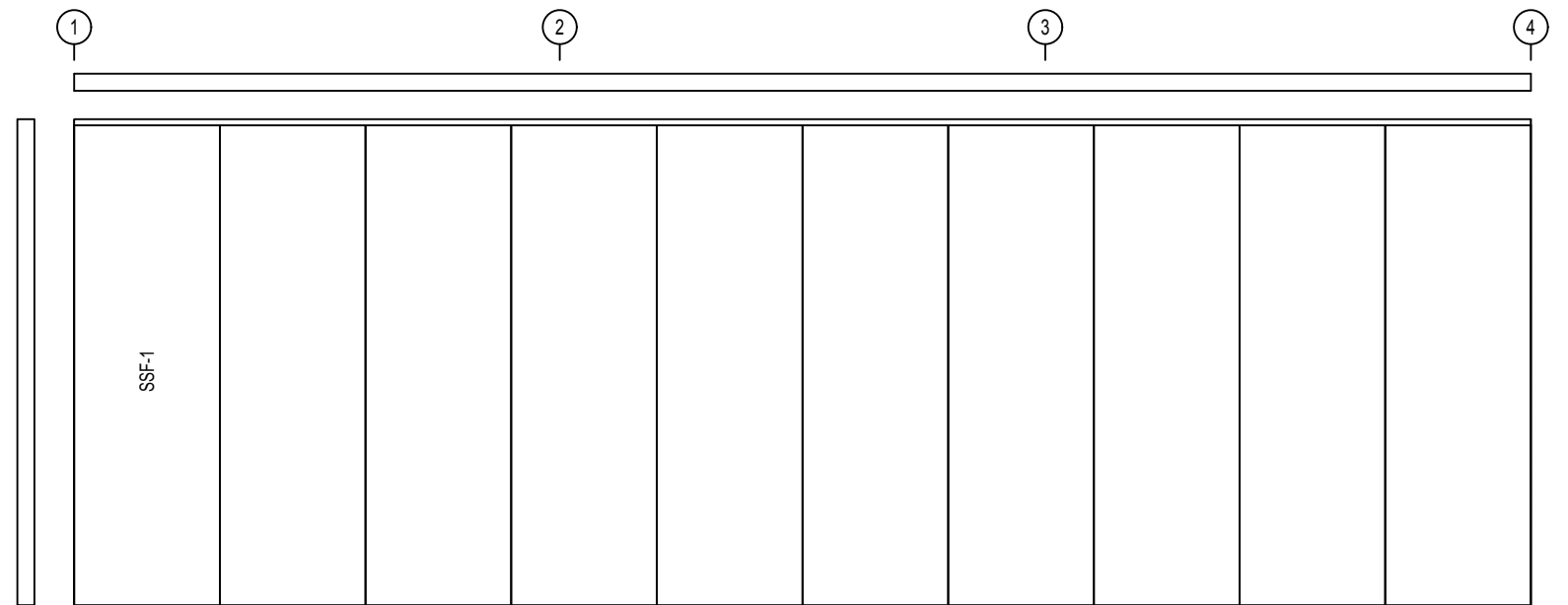
ROOF SHEETING
 PANELS: 26 Gauge PBR Galvalume

NOT FOR CONSTRUCTION

CONNECTION PLATES	
FRAME LINE A	
ID	MARK/PART
1	PC78



SIDEWALL FRAMING: FRAME LINE A

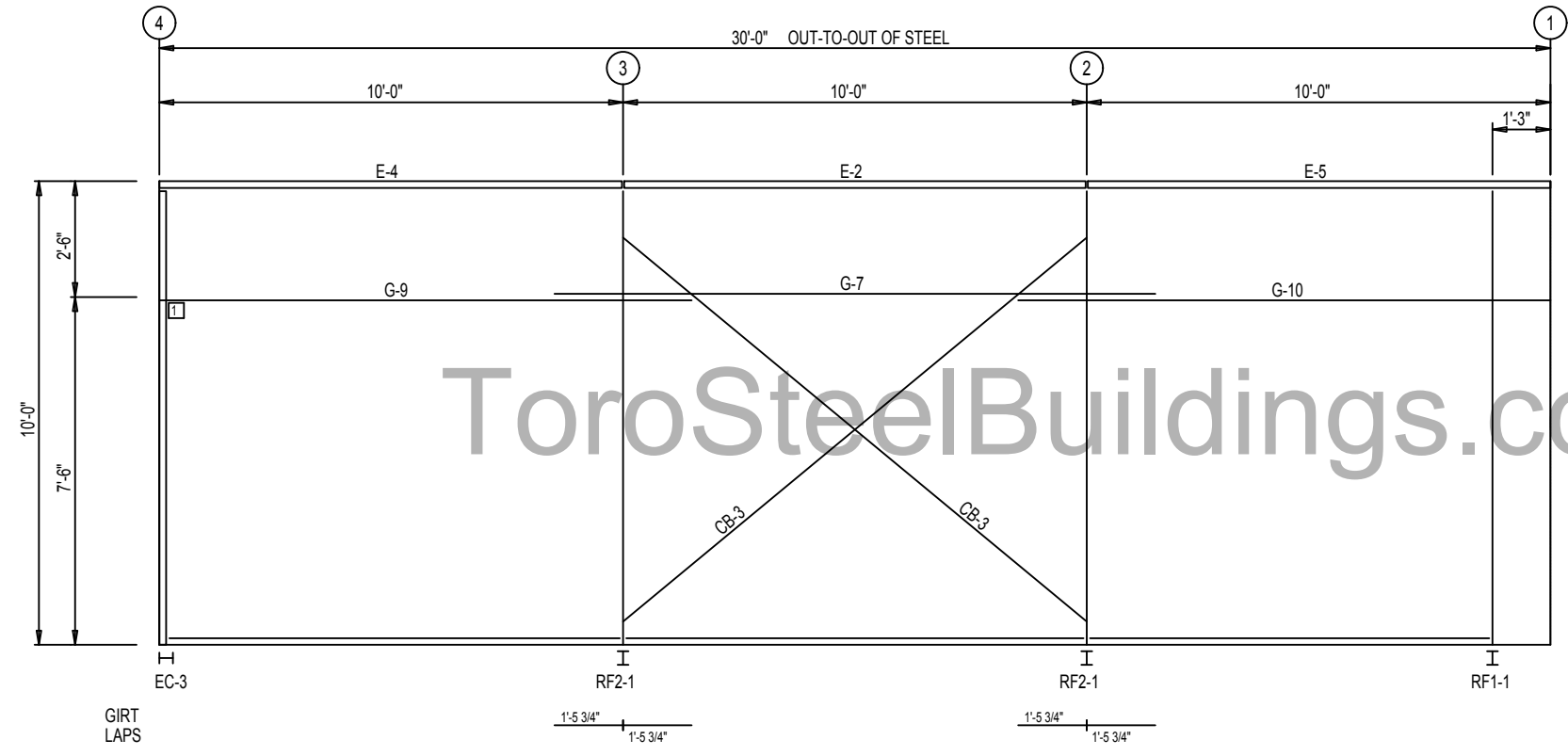


SIDEWALL SHEETING & TRIM: FRAME LINE A

PANELS: 26 Gauge PBR - Polar White

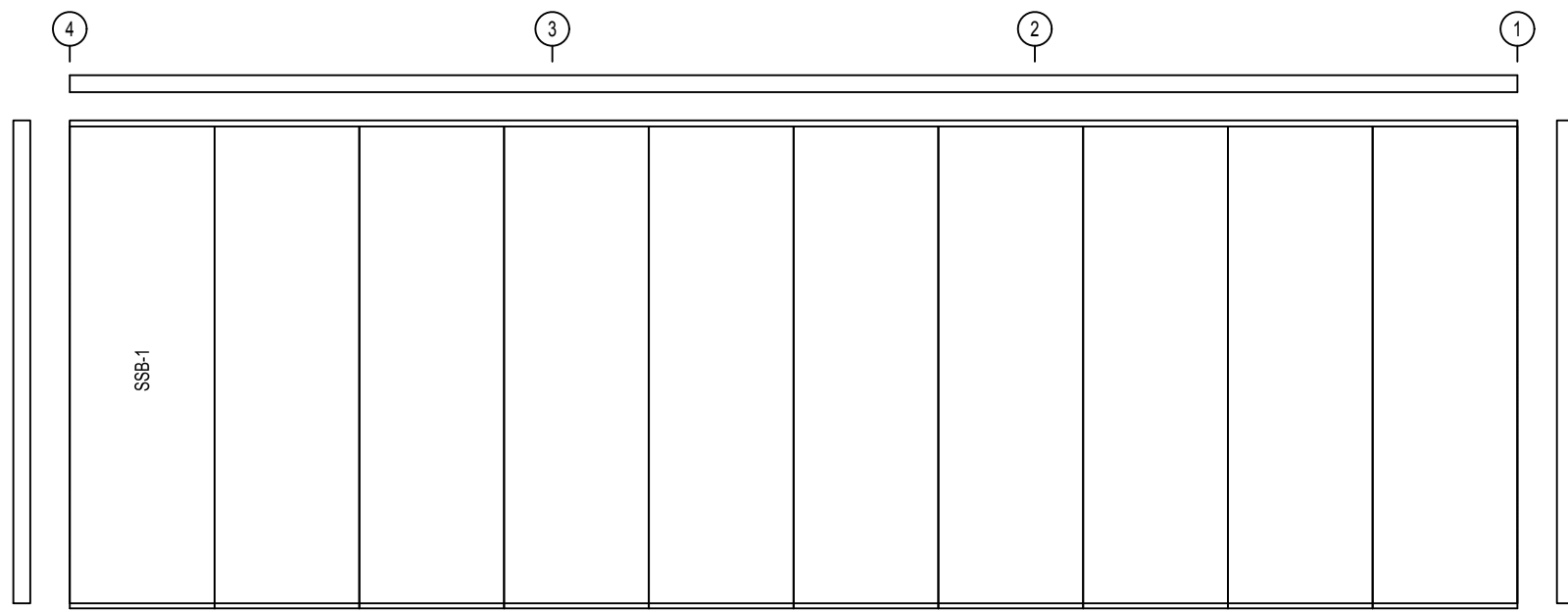
NOT FOR CONSTRUCTION

CONNECTION PLATES	
FRAME LINE C	
ID	MARK/PART
1	PC78



ToroSteelBuildings.com

SIDEWALL FRAMING: FRAME LINE C

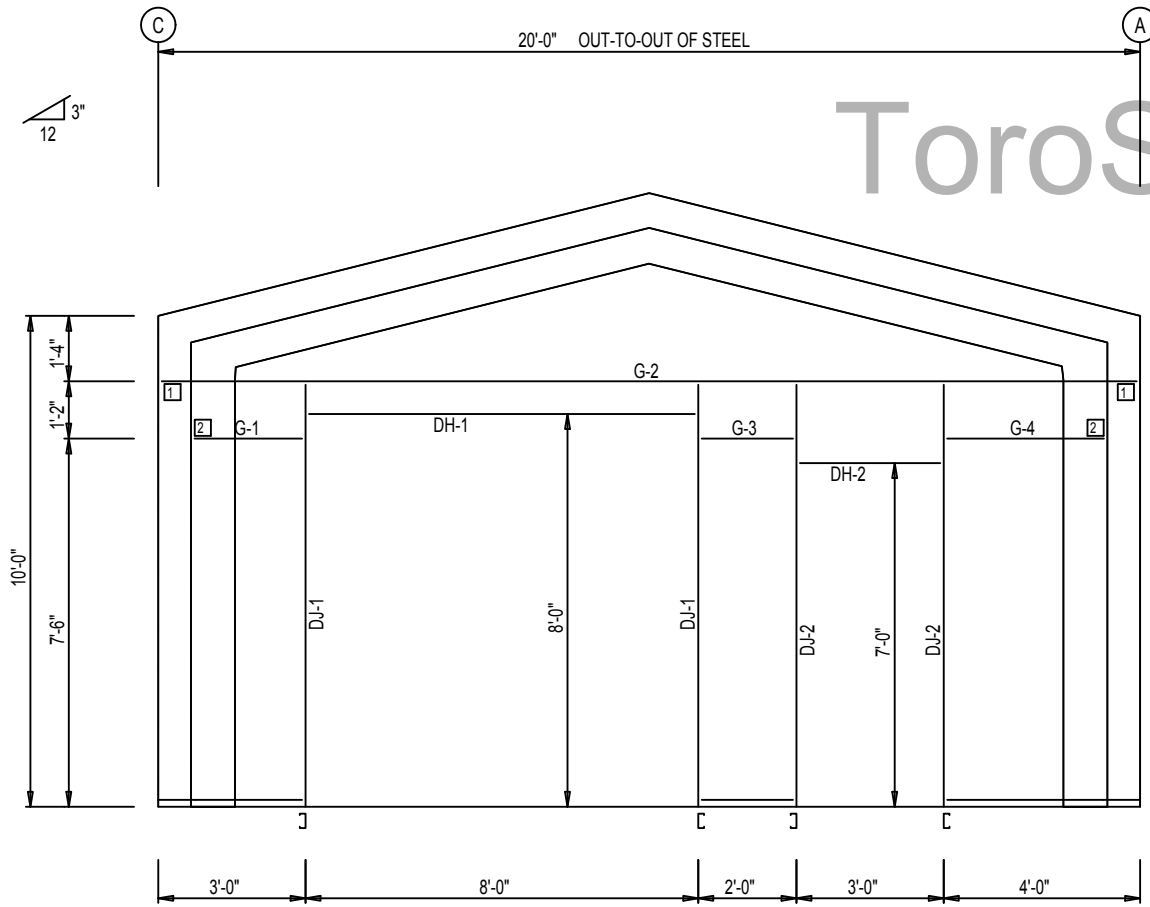


SIDEWALL SHEETING & TRIM: FRAME LINE C

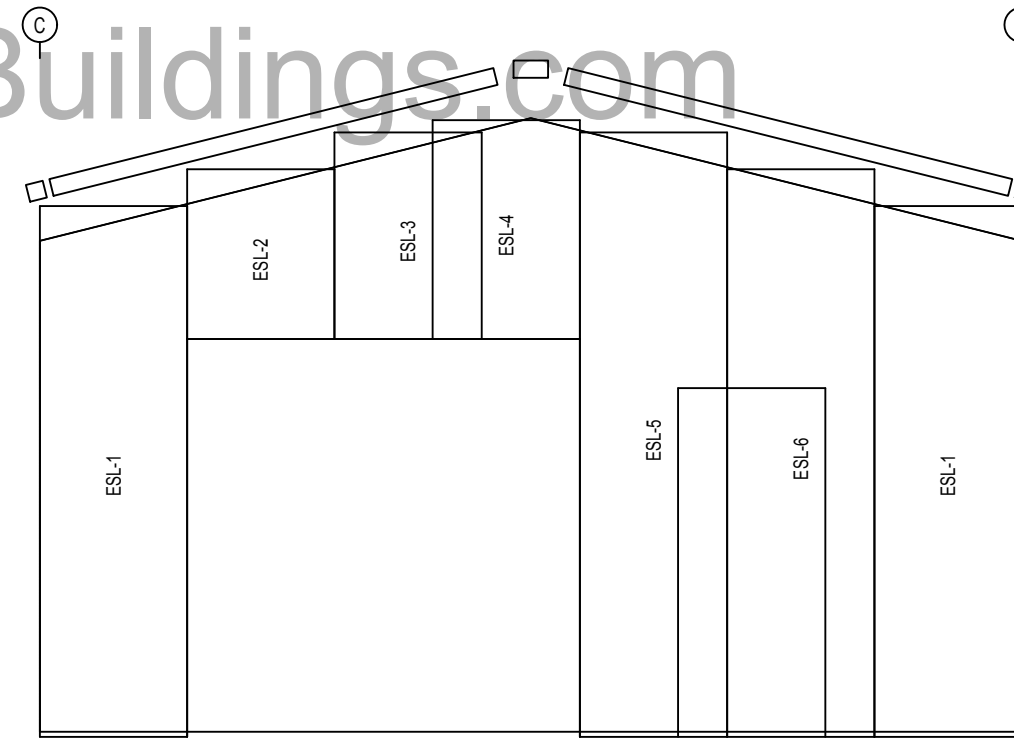
PANELS: 26 Gauge PBR - Polar White

NOT FOR CONSTRUCTION

CONNECTION PLATES	
FRAME LINE 1	
ID	MARK/PART
1	d2
2	SC-484



ENDWALL FRAMING: FRAME LINE 1



ENDWALL SHEETING & TRIM: FRAME LINE 1

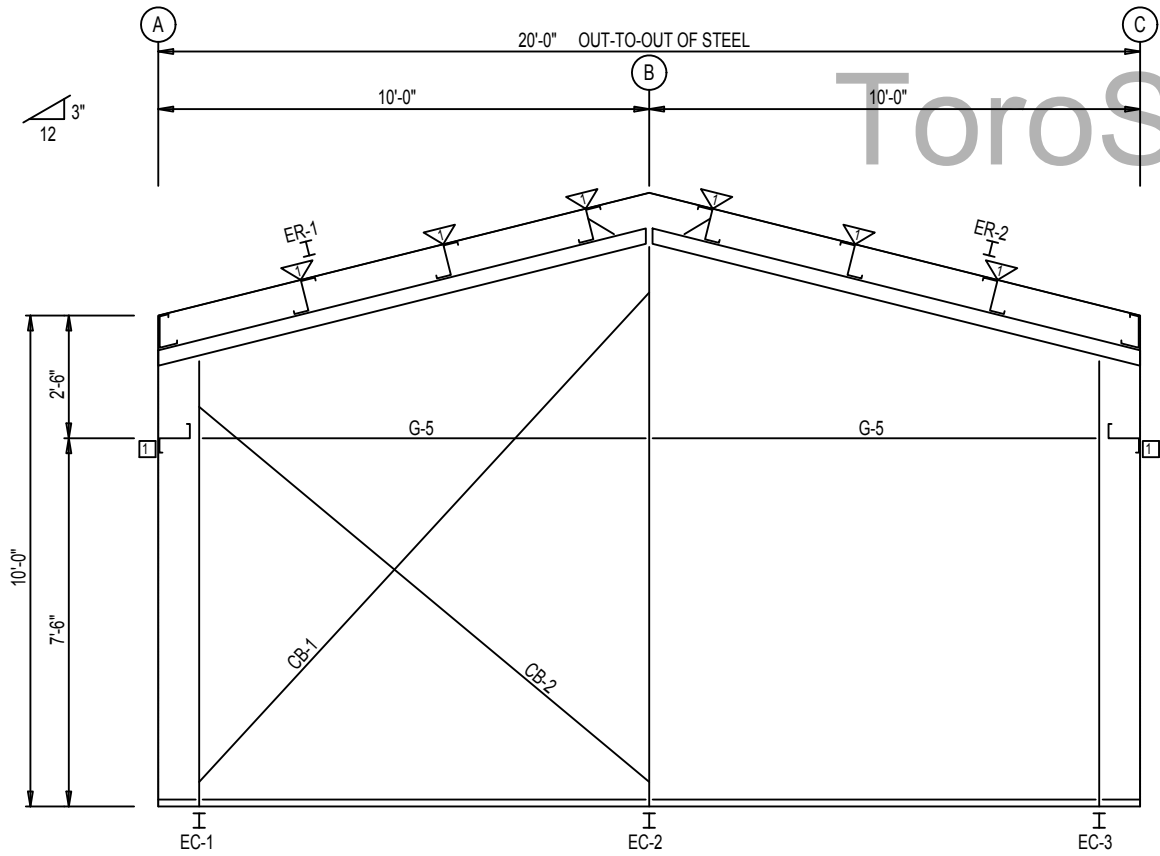
PANELS: 26 Gauge PBR - Polar White

NOT FOR CONSTRUCTION

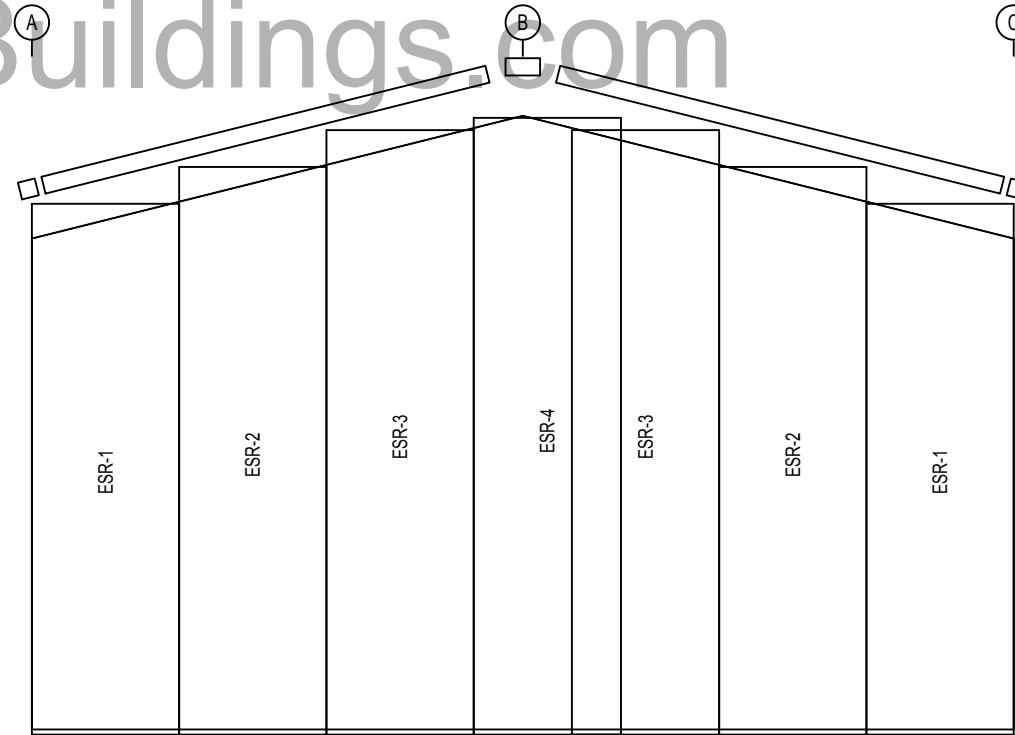
BOLT TABLE				
FRAME LINE 4				
LOCATION	QUAN	TYPE	DIA	LENGTH
ER-1/ER-2	8	A325	5/8"	1 3/4"
Cor. Column/Raf	4	A325	1/2"	1 1/4"
EC-2/ER-2	4	A325	5/8"	1 1/4"

FLANGE BRACE TABLE		
FRAME LINE 4		
▽ ID	PART	LENGTH
FB29.3	L2X2X14G	2'-5 1/4"

CONNECTION PLATES	
FRAME LINE 4	
□ ID	MARK/PART
1	PC78



ENDWALL FRAMING: FRAME LINE 4



ENDWALL SHEETING & TRIM: FRAME LINE 4

PANELS: 26 Gauge PBR - Polar White

NOT FOR CONSTRUCTION