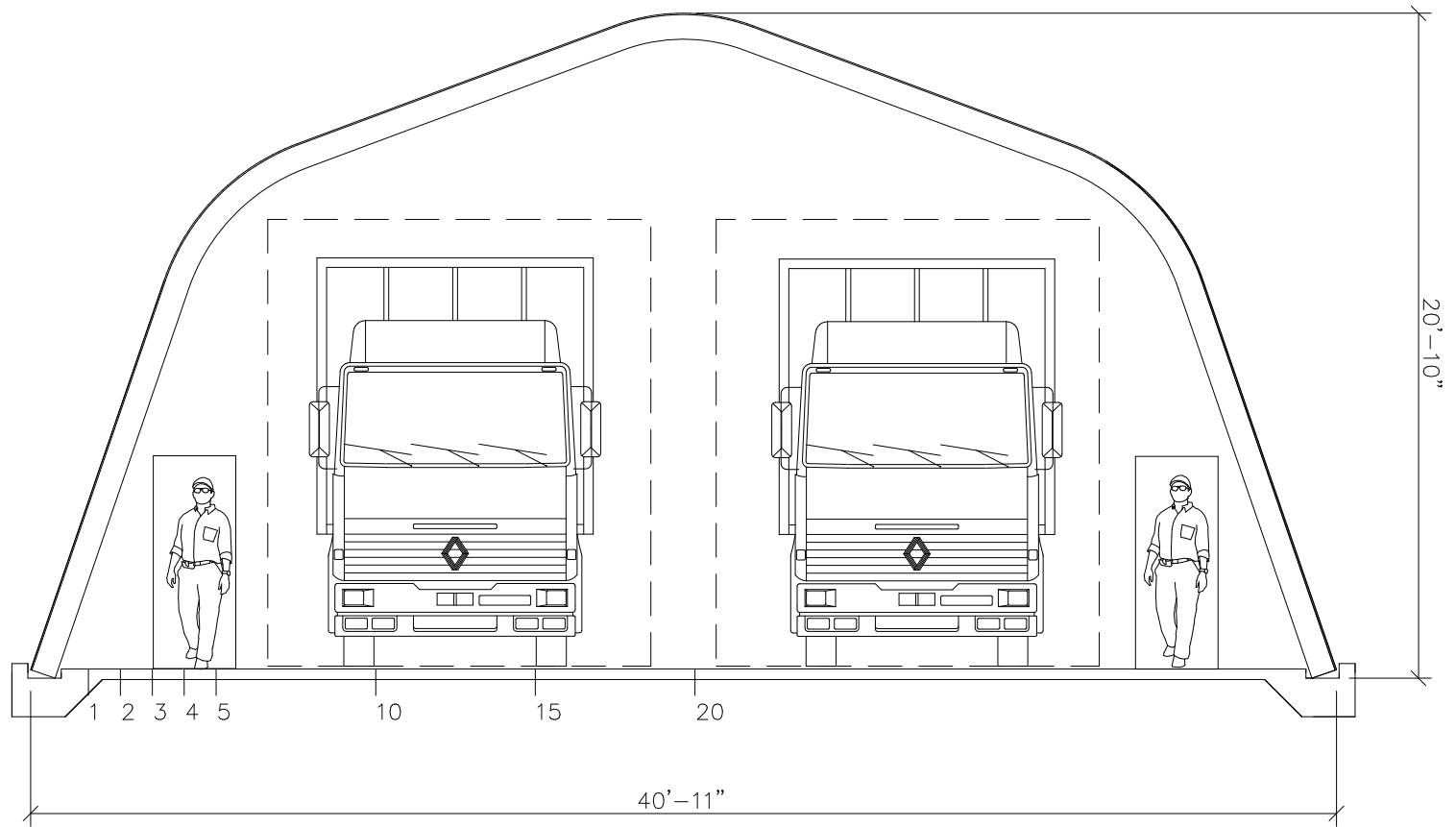


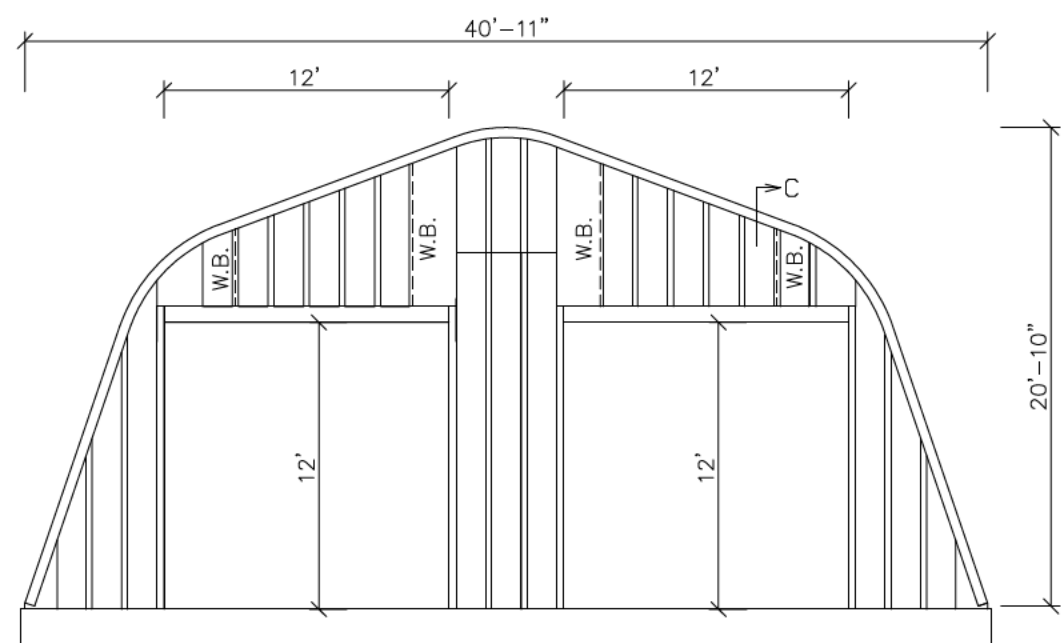
NOTE: THIS DRAWING IS PRELIMINARY. PLEASE REFER TO THE CERTIFIED BLUEPRINT FOR FINAL DIMENSIONS.

Horizontal Distance	Inside Clearance
1'	2'-9"
2'	5'-8"
3'	8'-7"
4'	11'-6"
5'	13'-6.5"
10'	16'-6"
15'	18'-4.5"
20'	19'-8.5"

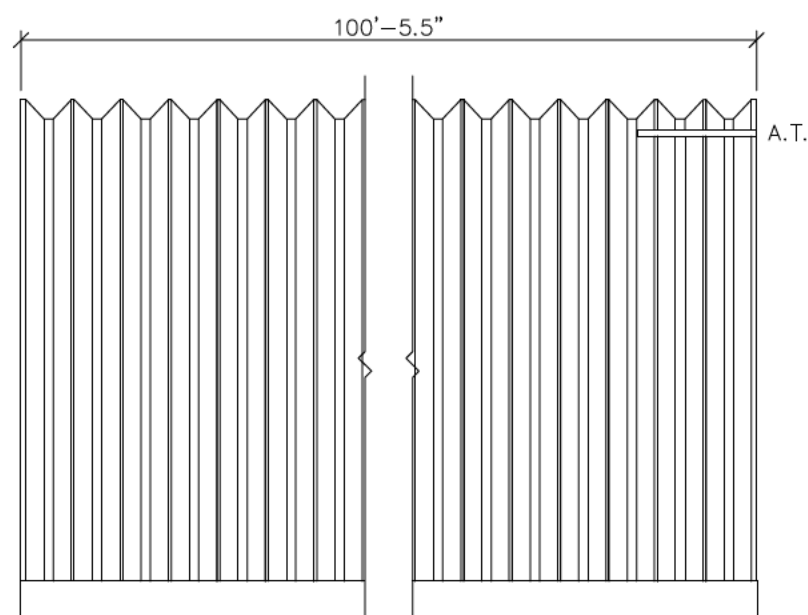
Front Door Frames: 12'w x 14'h, Overhead Door Clearance = 1' XXXXXXXXXX



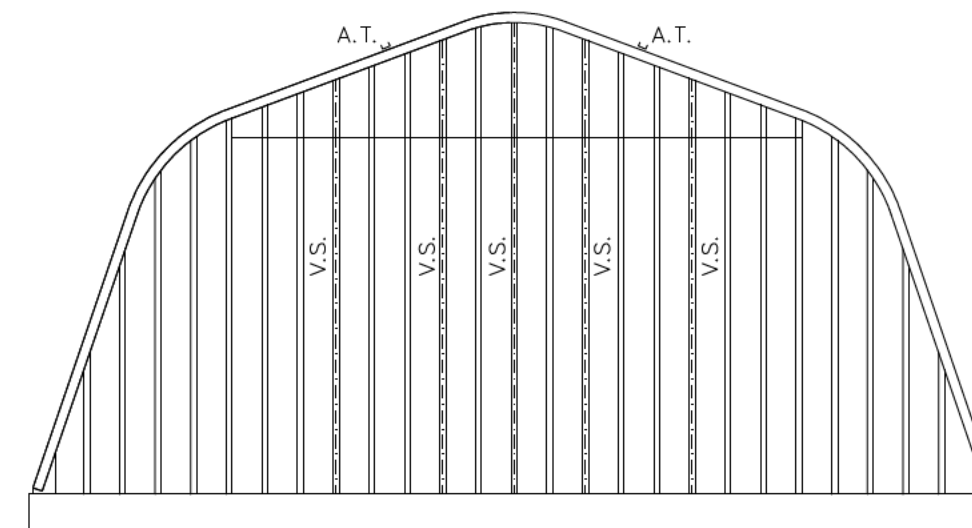
str. panels: 2@64.50 & 2@71.44	1 peak panel: 71.44	bolts/arch: 272	Date: 4/4/2018
2 eave panels: 92.25	str. wall panels: 2@120, 2@43.69		
Endwall area, sq.ft: 641.45	Volume/ft, cu.ft: 615.50	Surface area/arch, sq.ft: 175.38	Total arch length: 765.31



REAR ELEVATION
OVERHEAD DOOR TO BE DESIGNED
AND SUPPLIED BY OTHERS
W.B. = WIND BRACING

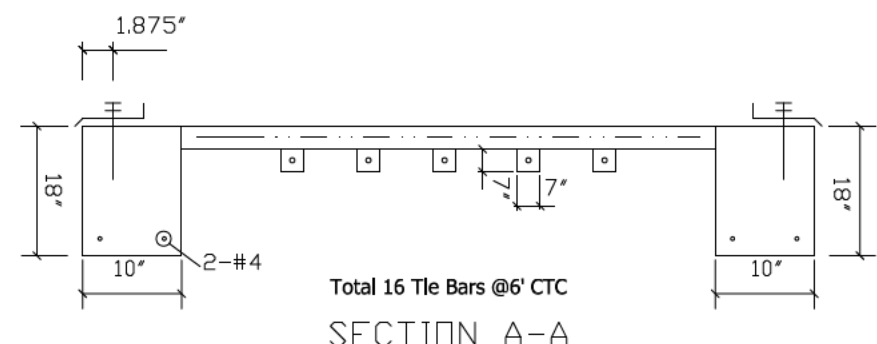


SIDE ELEVATION

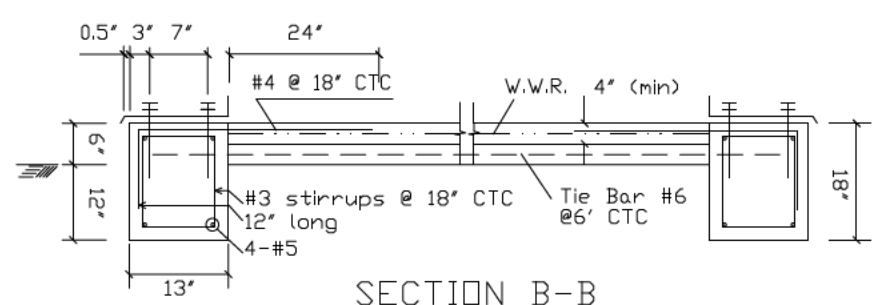


FRONT ELEVATION

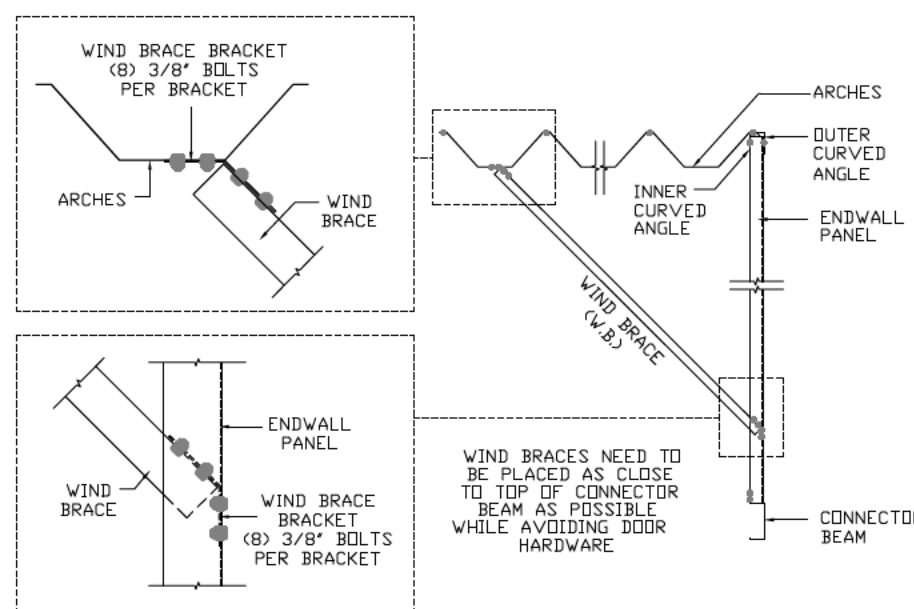
V.S. = VERTICAL STIFFENER
A.T. = ARCH TIE



SECTION A-A
Total 16 Tie Bars @ 6' CTC

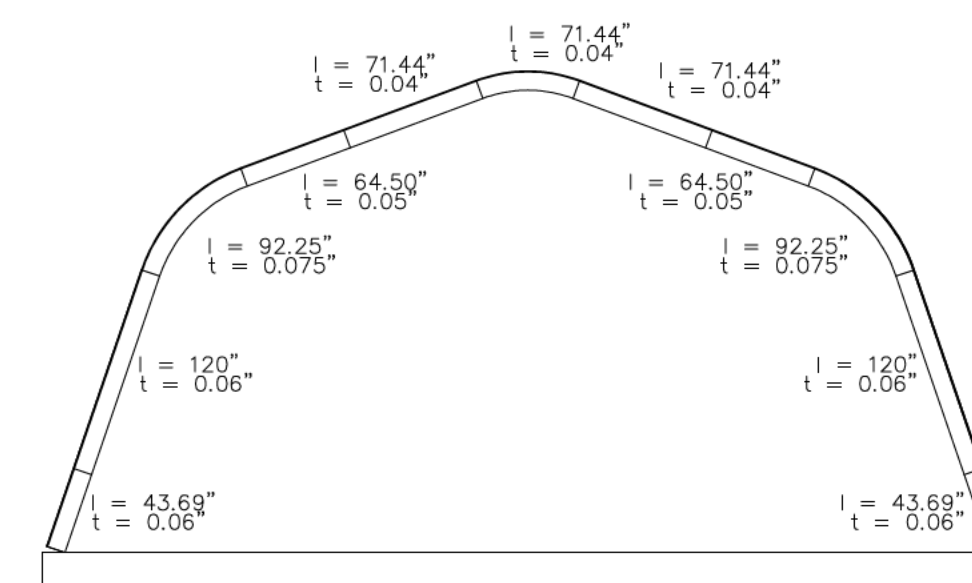


SECTION B-B



WIND BRACING DETAIL
SECTION C

WIND BRACES NEED TO BE PLACED AS CLOSE TO TOP OF CONNECTOR BEAM AS POSSIBLE WHILE AVOIDING DOOR HARDWARE

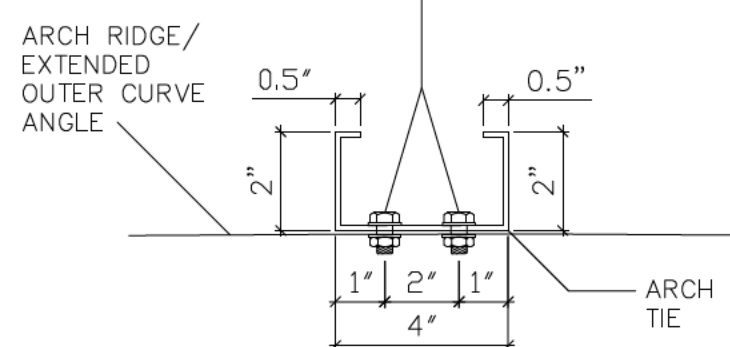


ARCH PROFILE

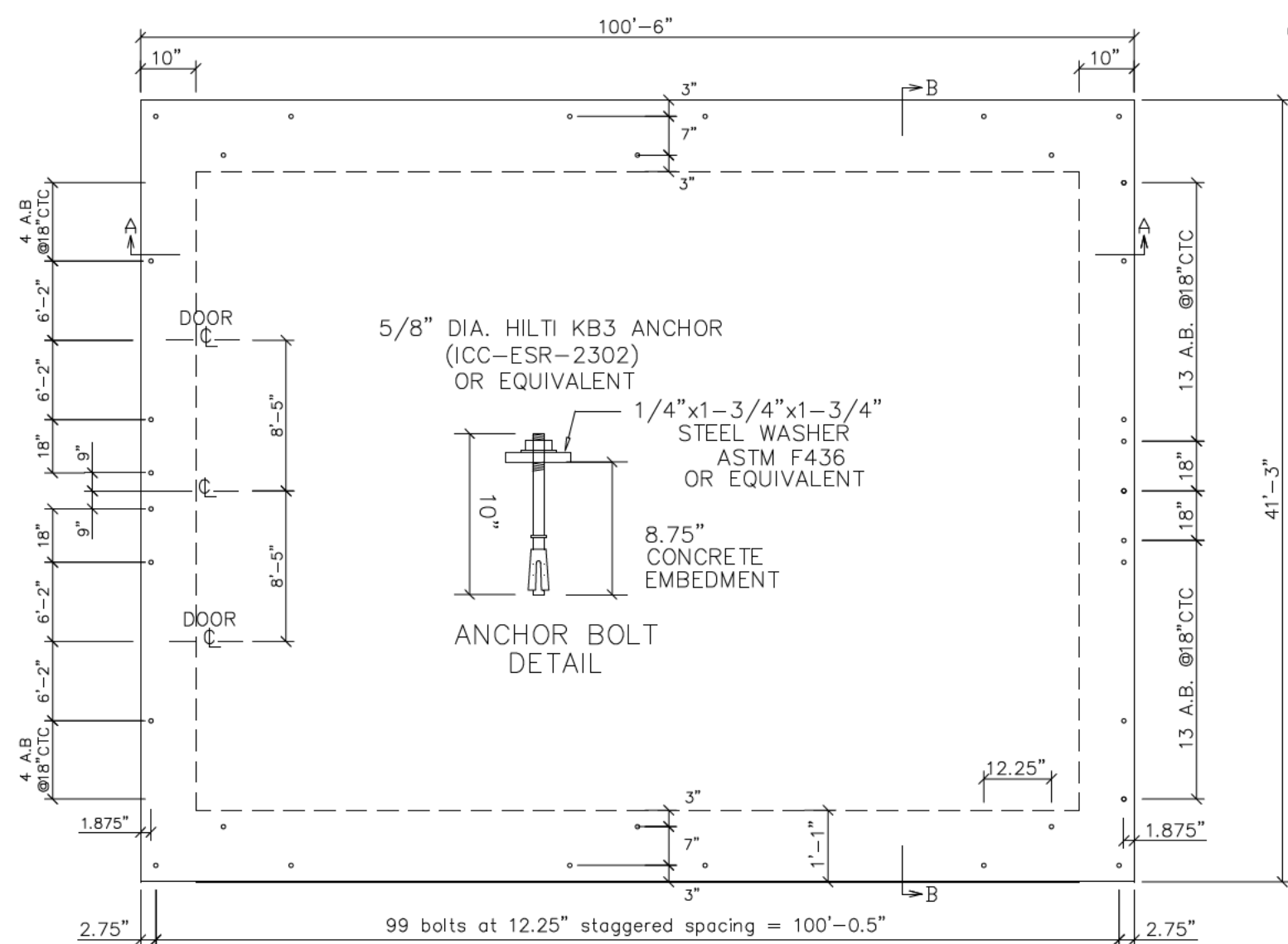
WARNING: DO NOT REMOVE OR REDUCE THE CONCRETE FLOOR OR THE REINFORCING STEEL, AND/OR RAISE THE TOPS OF THE FOOTERS ABOVE THE FLOOR OR BUILDING FAILURE MAY RESULT

Minimum Concrete Cover:
(a) Concrete Cast against earth: 3"
(b) Concrete exposed to earth or weather:
 No. 6 through No. 10 bars: 2"
 No. 5 bar and smaller: 1.5"
(c) Concrete not exposed to earth or weather: 0.75"

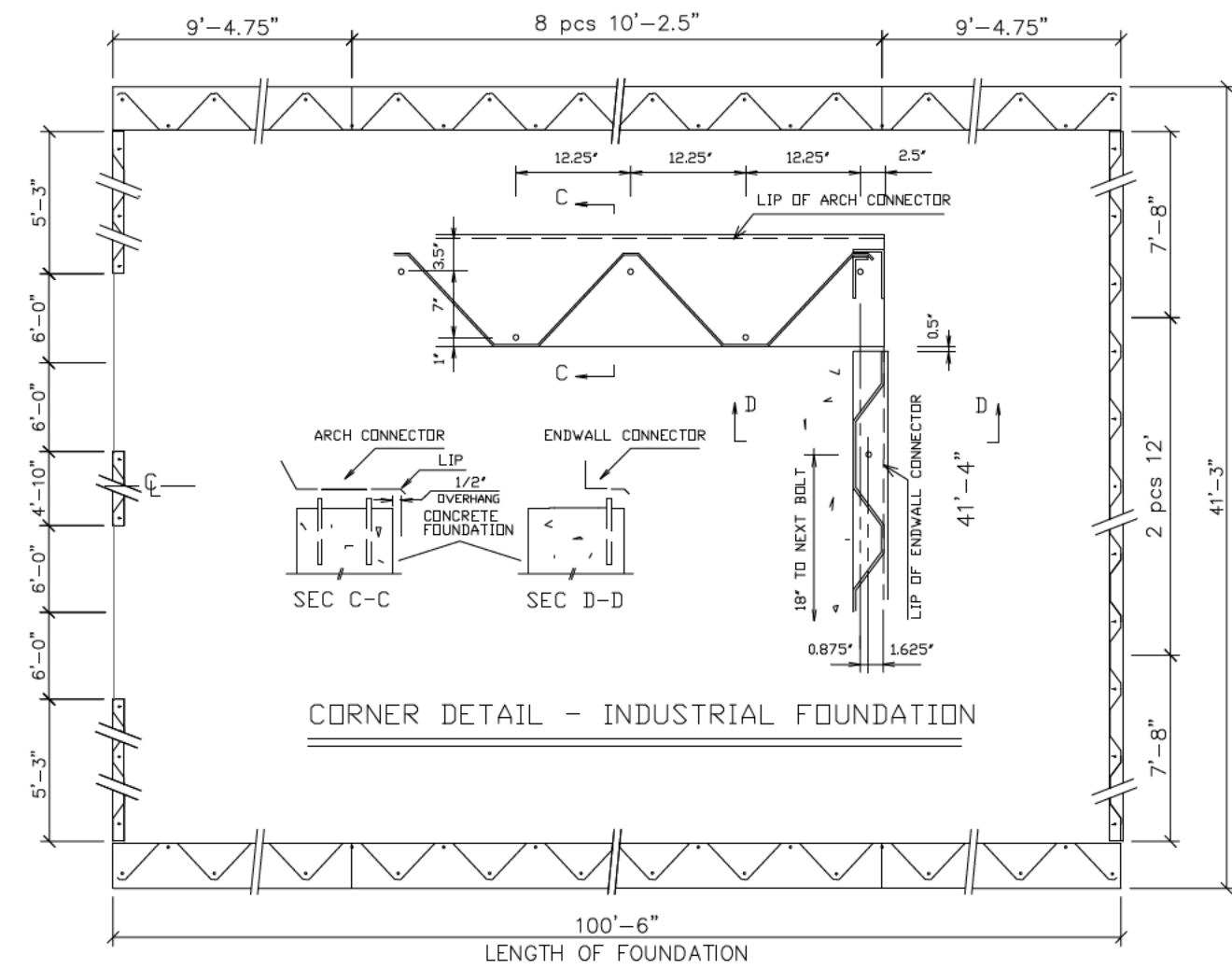
(2) 1/2" DIA. BOLTS @ ENDWALL ARCH RIDGE AND @ OUTER CURVE ANGLE
(1) 1/2" DIA. BOLTS @ OTHER ARCH RIDGES
* 5/16" DIA. HOLES TO BE SITE DRILLED BY OTHERS



ARCH TIE DETAIL



FOUNDATION PLAN

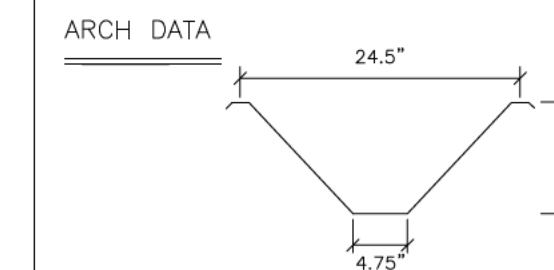


CORNER DETAIL - INDUSTRIAL FOUNDATION

INDUSTRIAL BASE CONNECTOR LAYOUT

- GENERAL NOTES
1. ALL MATERIAL AND WORKMANSHIP SHALL CONFORM WITH THE REQUIREMENTS OF THE LATEST REVISION OF THE NATIONAL BUILDING CODE OF CANADA 2015 & OBC 2012. DESIGN ACCORDING TO CSA STANDARD CAN/CSA S136-16W/s1-19 NORTH AMERICAN SPECIFICATION FOR THE DESIGN OF COLD FORMED STEEL STRUCTURAL MEMBERS (APPENDIX B).
 2. NO LOADS OTHER THAN THOSE GIVEN UNDER "DESIGN DATA" BELOW SHALL BE IMPOSED ON THE "STRUCTURE".
 3. SPECIFIC NOTES AND DETAILS SHOWN ON THE DRAWINGS SHALL TAKE PRECEDENCE OVER THE BUILDING MANUAL SUPPLIED.
 4. THE BUILDING, INCLUDING THE FOUNDATION, MUST BE CONSTRUCTED IN STRICT ACCORDANCE WITH THE DRAWING AND ERECTION INSTRUCTIONS. ANY DEVIATION, UNLESS APPROVED BY US IN WRITING, SHALL NULLIFY OUR CERTIFICATE AND SEAL AND SHALL BE THE SOLE RESPONSIBILITY OF THE ERECTOR.
 5. A PROFESSIONAL ENGINEER SHOULD BE RETAINED WHERE SITE INSPECTIONS ARE WARRANTED.
 6. NO ARCH PANEL MAY BE CUT OR MODIFIED UNLESS IT IS TO ACCOMMODATE AN ACCESSORY PROVIDED BY THE MANUFACTURER IN ACCORDANCE WITH ITS INSTRUCTIONS AND/OR THIS DRAWING.
 7. MINIMUM SEPARATION FROM THIS BUILDING TO ANY TALLER BUILDING MUST BE THE SMALLER OF 20 FEET AND 6 TIMES THE HEIGHT DIFFERENCE.

- FOUNDATION NOTES
- NOTE: THE FOUNDATION ON THE DRAWING SPECIFIES THE MINIMUM REQUIREMENTS. LOCAL BUILDING CODE AND SITE CONDITIONS MAY REQUIRE A STRONGER FOUNDATION, WHICH MUST BE DESIGNED BY A LOCAL ENGINEER.
1. THE FOUNDATION SHALL BE FOUNDED ON NATURAL UNDISTURBED SOIL CAPABLE OF SAFELY SUSTAINING 75 kPa. THIS SHALL BE DESIGNED TO FULLY RESIST ALL ROTATION AT THE BASE OF THE ARCH.
 2. SLAB ON GRADE SHALL BE PLACED ON WELL COMPACTED SOIL CAPABLE OF SUSTAINING 75 kPa WITHOUT APPRECIABLE SETTLEMENT.
- DESIGN DATA (MATERIALS)
1. CONCRETE: $F_c = 25 \text{ MPa}$ @ 28 DAYS, CSA A23.3
 2. REINFORCING STEEL: GRADE 400, $F_y = 400 \text{ MPa}$, ASTM A615
 3. W.W.R. $F_y = 450 \text{ MPa}$, ASTM A1064.
 4. W.W.R. 152x152 - MW9xMW9.



BOLTS: SAE GRADE 2 OR ASTM A307
ARCH STEEL THICKNESS - SEE ARCH PROFILE
ENDWALL STEEL THICKNESS = 0.76 mm

GALVALUME SHEET STEEL
STRUCTURAL QUALITY ASTM SPECIFICATION A792M
55% ALUMINUM-ZINC ALLOY-COATED BY THE HOT-DIP PROCESS
345 MPa MINIMUM YIELD
450 MPa MINIMUM TENSILE
HSS SECTIONS SHALL CONFORM TO:
ASTM A500 GRADE C ($F_y = 345 \text{ MPa}$)
W SECTIONS SHALL CONFORM TO:
ASTM A992 GRADE 50 ($F_y = 345 \text{ MPa}$)
OTHER SECTIONS SHALL CONFORM TO:
ASTM A36 ($F_y = 250 \text{ MPa}$)

ARCH DESIGN DATA IN ACCORDANCE WITH NBC 2015:
L: ROOF LIVE LOAD (kPa) = 1
Ss: GROUND SNOW (kPa) = 2.60
Cb: ROOF SNOW FACTOR = 0.80
Cw: WIND EXPOSURE FACTOR = 1.0
Cs: MAX. SLOPE FACTOR = 1.0
Sr: RAIN LOAD (kPa) = 0.40
IMPORTANCE FACTOR (SNOW) = 1.0
p: WIND EXTERNAL PRESSURE (kPa) = 0.41
q: VELOCITY PRESSURE (1/50) (kPa) = 0.46
Ce: EXPOSURE FACTOR = 0.9
Cg: GUST EFFECT FACTOR = 2.0
Ss(0.2): SPECTRAL RESPONSE ACCELERATION = 0.33

LEGAL NOTE
This drawing is the property of Future Steel Buildings Intl. Corp. Any duplication of this drawing in whole or in part is strictly forbidden. Anyone doing so will be prosecuted under the full extent of the law.

REVISIONS:	
Future Steel Buildings Intl. Corp.	
220 Chrysler Drive, Brampton, Ontario, Canada, L6S 6B6, Phone: (905) 790-8500	
N.T.S.	P.G.
SCALE: 7/4/2021	APPROVED BY: A.G.
DATE:	CHECKED BY:
PROJECT: STEVE NARAIANE	
	FORT ERIE, ON
XX41-20	21-1758
MODEL:	DWG: