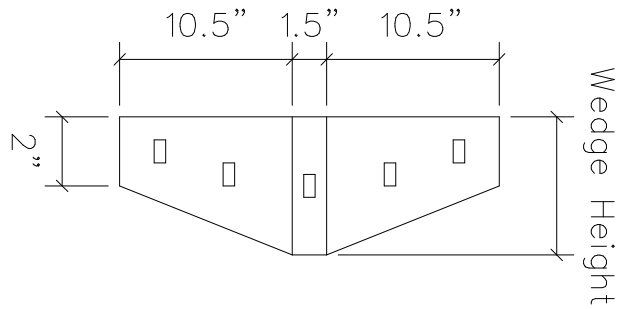
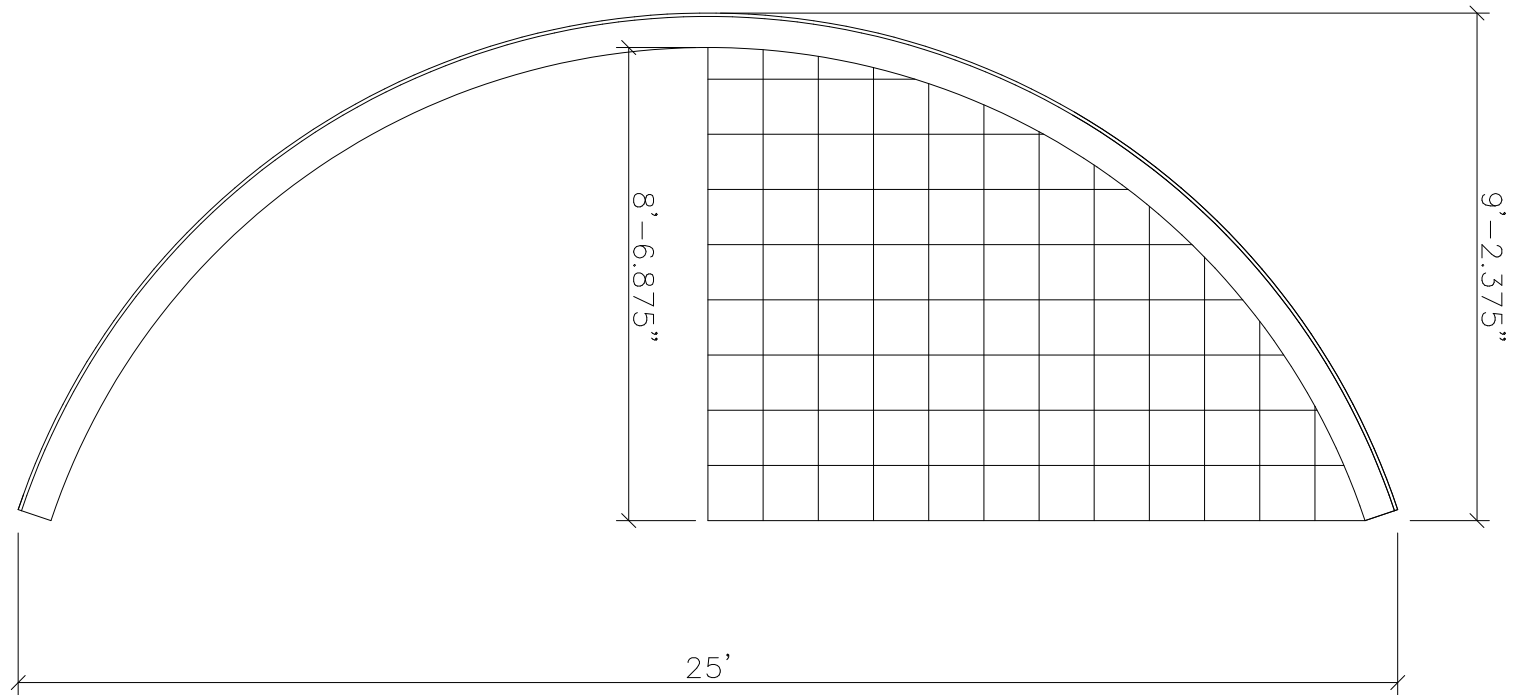


NOTE: THIS DRAWING IS PRELIMINARY. PLEASE REFER TO THE CERTIFIED BLUEPRINT FOR FINAL DIMENSIONS.

Horizontal Distance	Inside Clearance
1'	2'-3.5"
2'	3'-9.5"
3'	4'-11"
4'	5'-9.5"
5'	6'-6.5"
10'	8'-5"



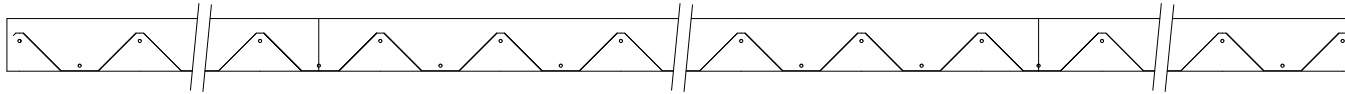
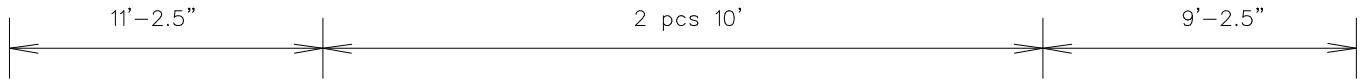
Structural base to be designed by local Engineer & supplied by others



Standard 120" panels: 3	1 short panel: 64.50	bolts/arch: 106	Date: 10/4/2022
Endwall area, sq.ft: 164.56	Volume/ft, cu.ft: 161.20	Surface area/arch, sq.ft: 82.80	Total arch length: 394.80

NOTE: THIS DRAWING IS PRELIMINARY. PLEASE REFER TO THE CERTIFIED BLUEPRINT FOR FINAL DIMENSIONS.

10/4/2022



— C —

— C —

