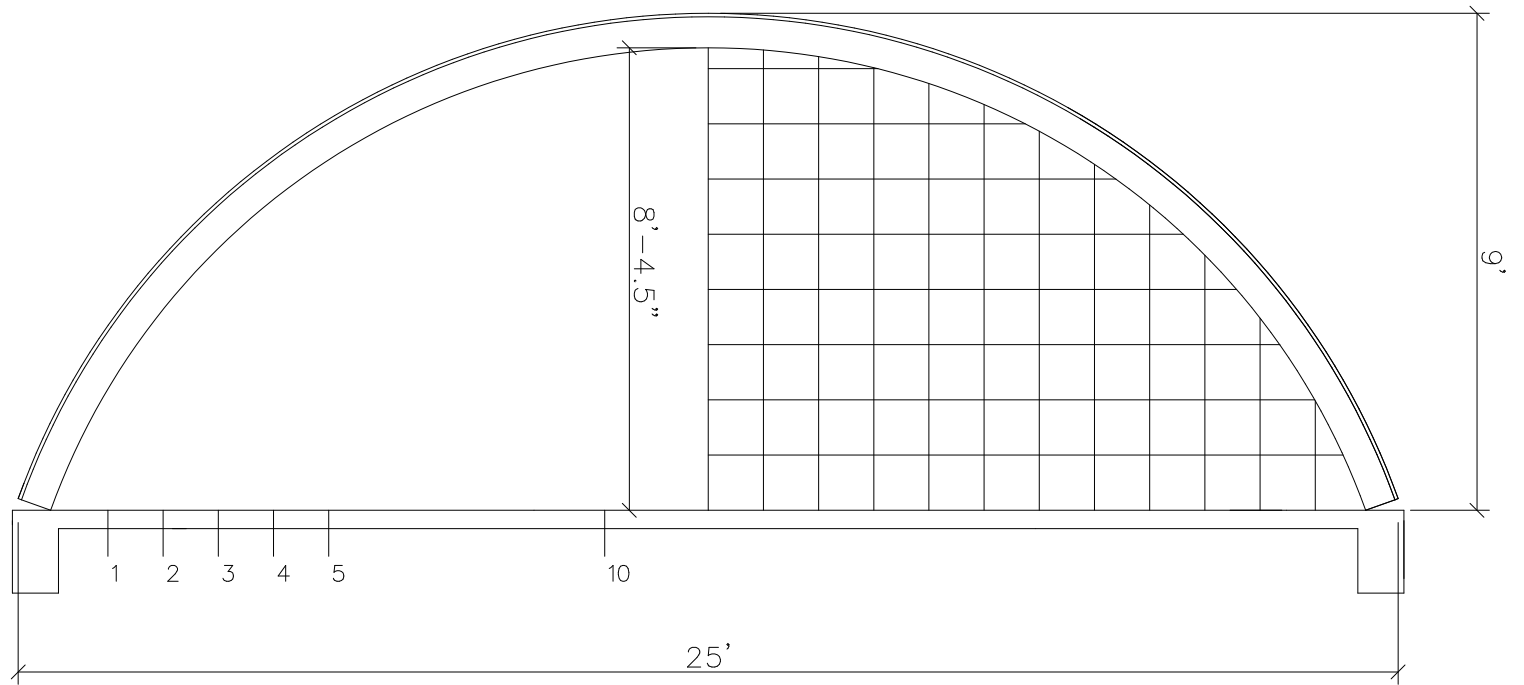
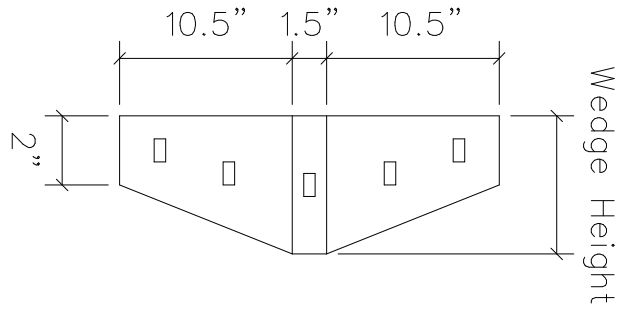


Horizontal Distance	Inside Clearance
1'	2'-2.5"
2'	3'-7.5"
3'	4'-9"
4'	5'-7.5"
5'	6'-4"
10'	8'-3"



FUTURE BUILDINGS

Building for the future

Roof gauge: 10.64

Roof outside radius: 159.38

bolts/arch: 106

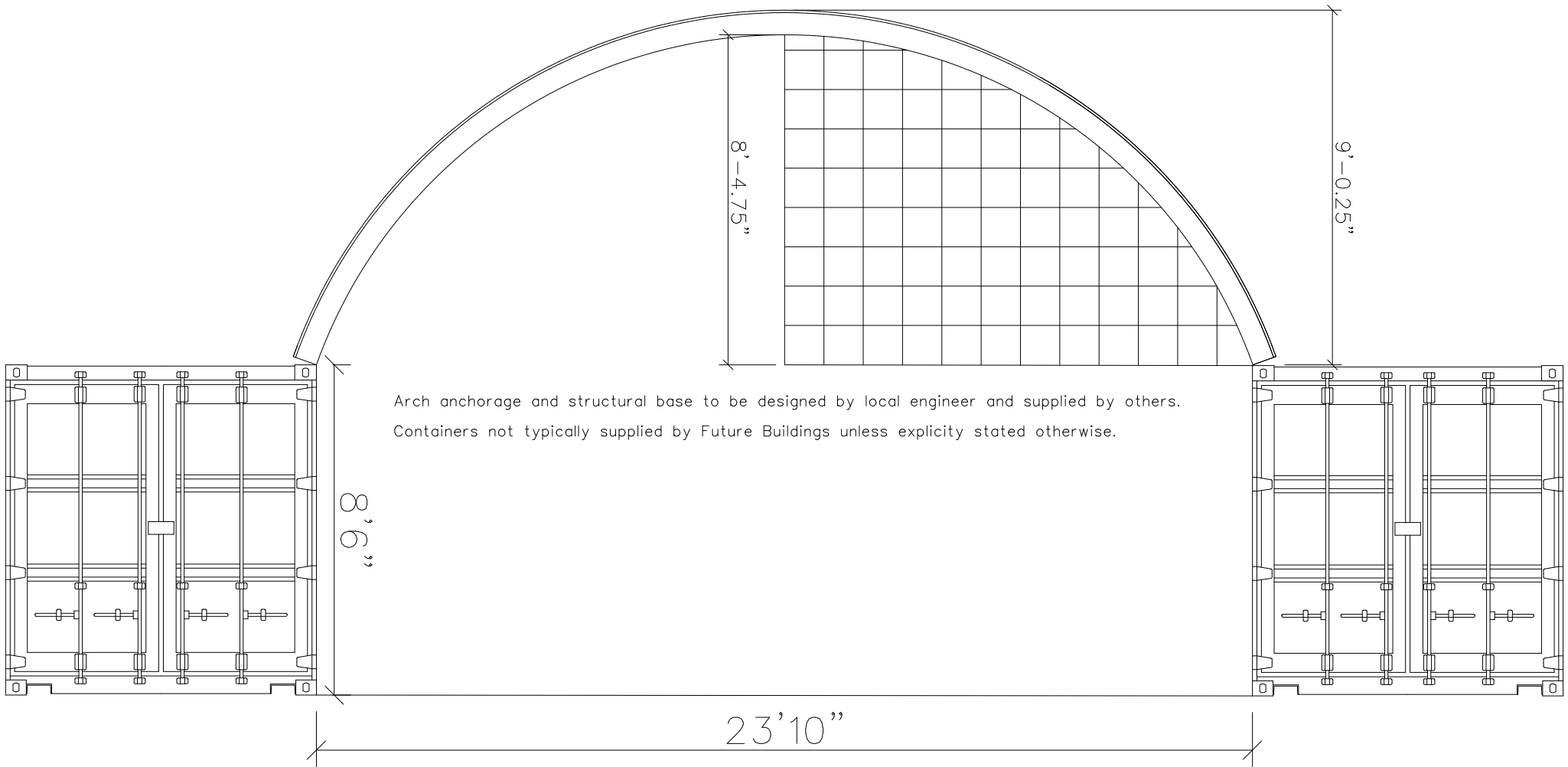
Surface area/arch, sq.ft: 81.96

Sector angle, deg: 140.50

Date: 02/12/2019

Total arch length: 390.82

Wedge Height: 4.693





BUILD YOUR OWN ENDWALL OPTION

**OUR ENDWALLS ARE NOT LOAD
BEARING.**

**THAT MEANS YOU HAVE THE OPTION
OF USING YOUR OWN LOCALLY
SOURCED MATERIALS, TO BUILD AND
FINISH THE ENDWALLS ANY WAY YOU
LIKE!**

THE POSSIBILITIES ARE ENDLESS!

**CALL US TODAY
800.668.5111
FUTUREBUILDINGS.COM**

