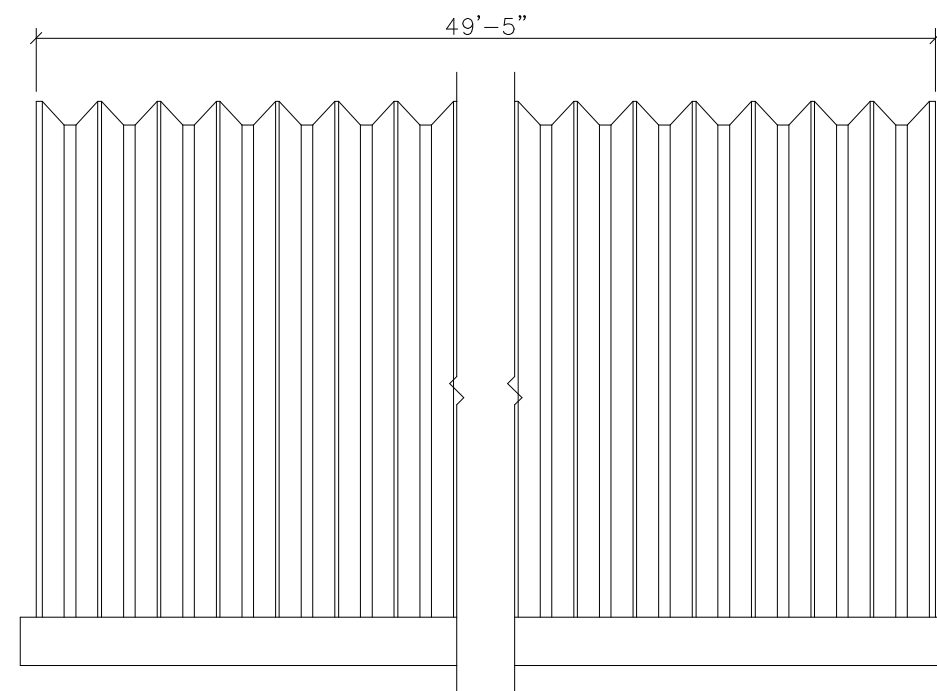
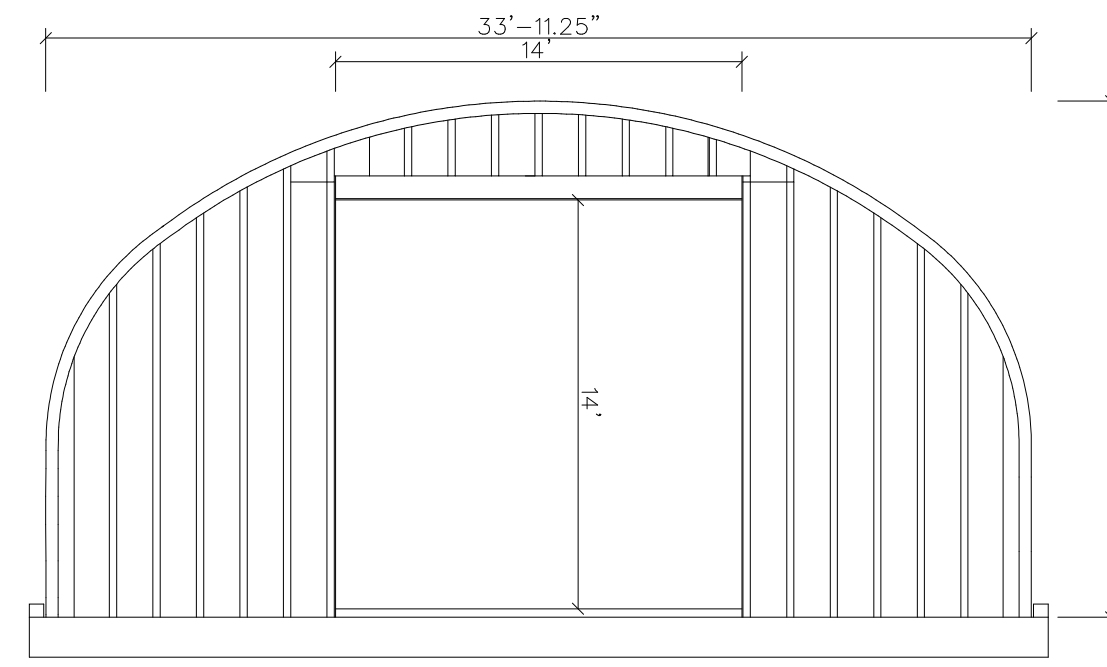


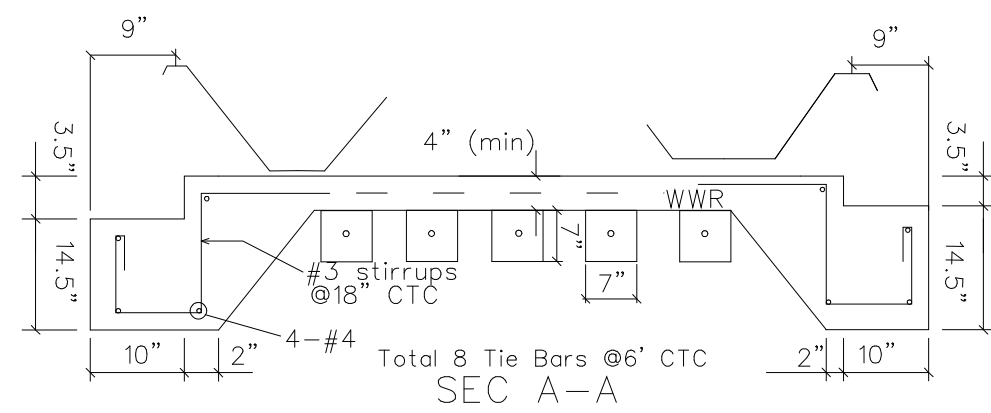
REAR ELEVATION



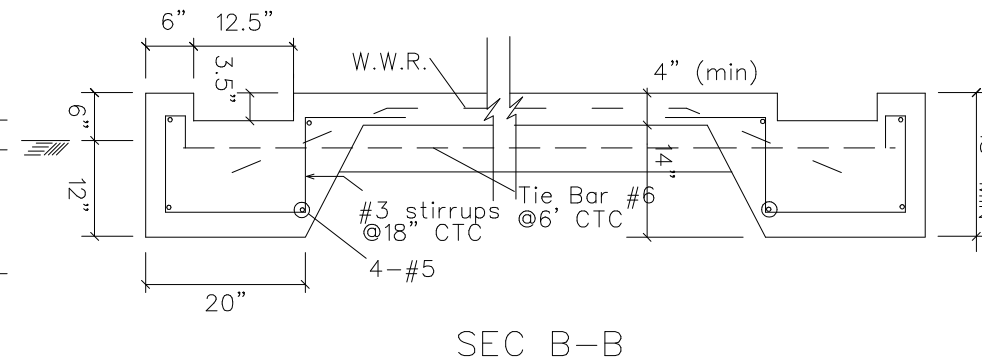
SIDE ELEVATION



FRONT ELEVATION  
OVERHEAD DOOR TO BE DESIGNED  
AND SUPPLIED BY OTHERS



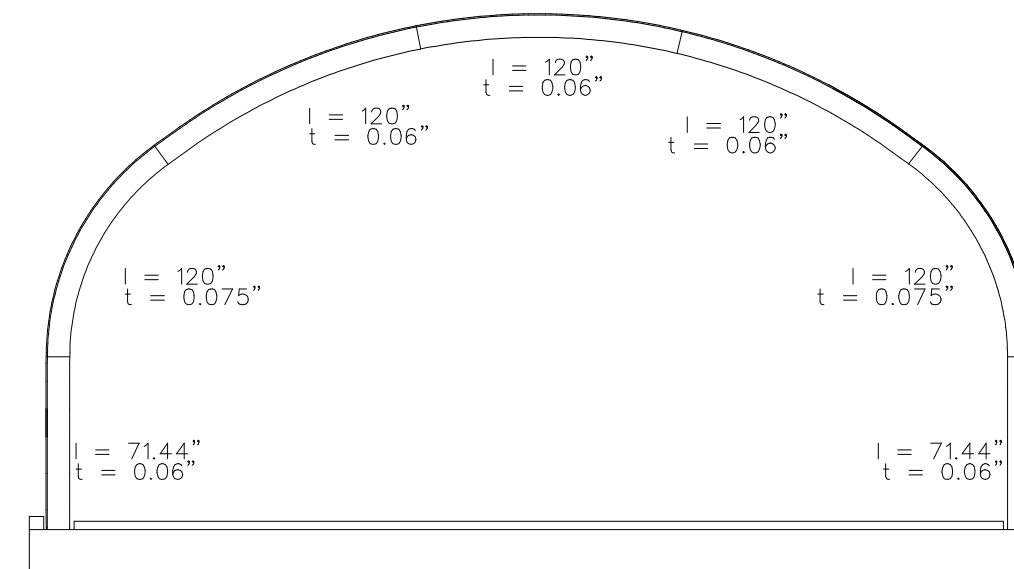
SEC A-A



SEC B-B

WARNING: DO NOT REMOVE OR REDUCE THE CONCRETE FLOOR OR THE REINFORCING STEEL, AND/OR RAISE THE TOPS OF THE FOOTERS ABOVE THE FLOOR OR BUILDING FAILURE MAY RESULT

- Minimum Concrete Cover:
- (a) Concrete Cast against earth: 3"
  - (b) Concrete exposed to earth or weather:
    - No. 6 through No. 10 bars: 2"
    - No. 5 bar and smaller: 1.5"
  - (c) Concrete not exposed to earth or weather: 0.75"

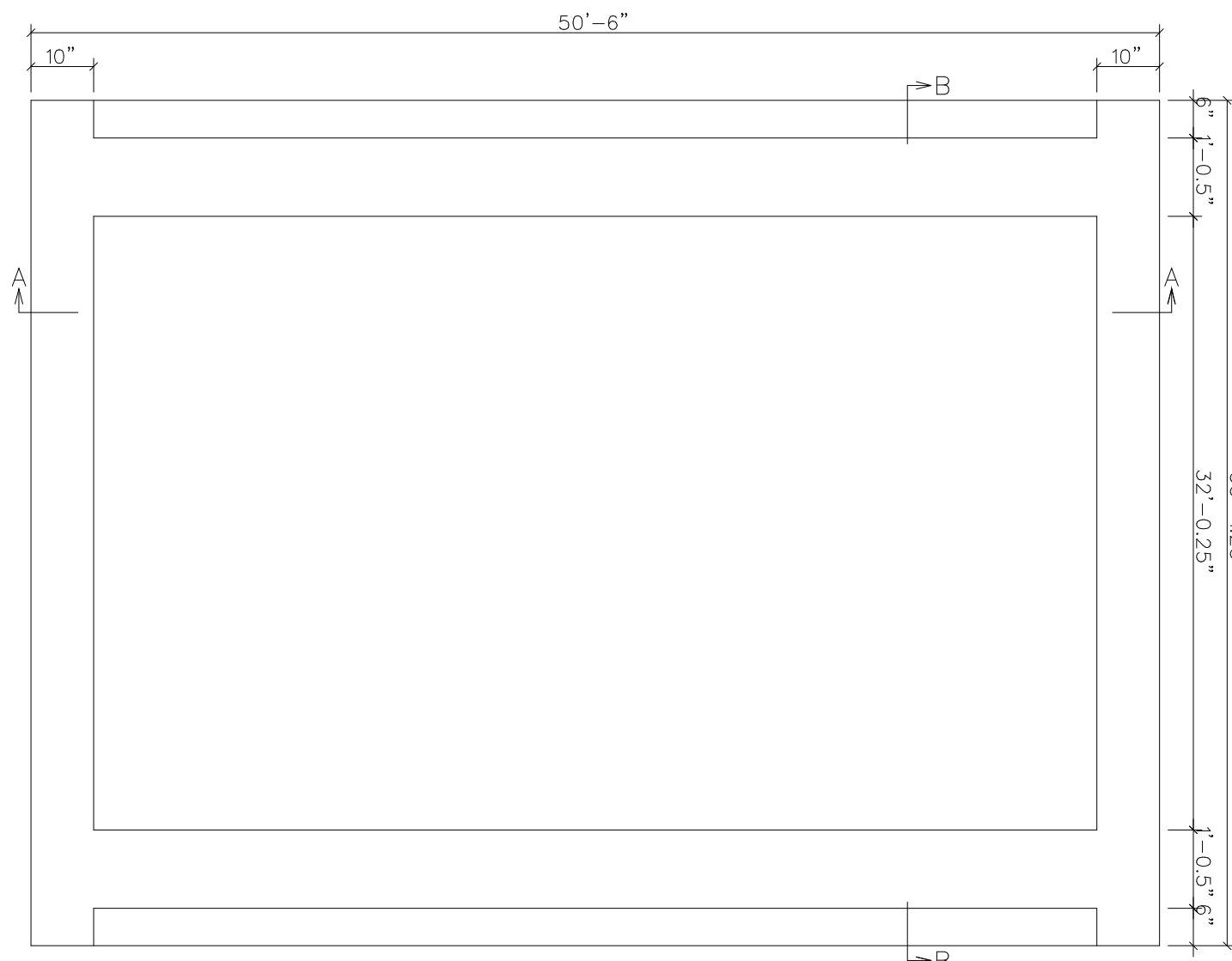
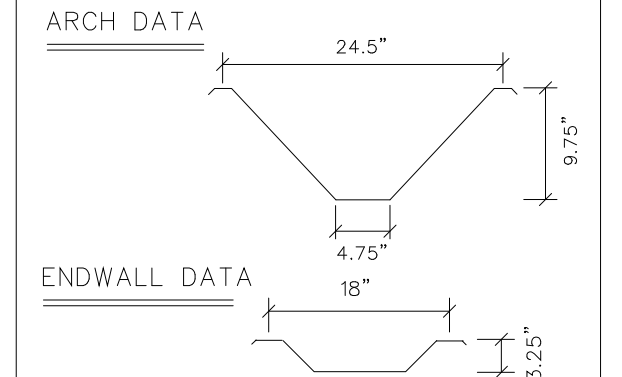


ARCH PROFILE

- GENERAL NOTES
- ALL MATERIAL AND WORKMANSHIP SHALL CONFORM WITH THE REQUIREMENTS OF THE LATEST REVISION OF THE NATIONAL BUILDING CODE OF CANADA 2015 & BCBC 2018. DESIGN ACCORDING TO CSA STANDARD CAN/CSA S136-12 NORTH AMERICAN SPECIFICATION FOR THE DESIGN OF COLD FORMED STEEL STRUCTURAL MEMBERS (APPENDIX B).
  - NO LOADS OTHER THAN THOSE GIVEN UNDER "DESIGN DATA" BELOW SHALL BE IMPOSED ON THE "STRUCTURE".
  - SPECIFIC NOTES AND DETAILS SHOWN ON THE DRAWINGS SHALL TAKE PRECEDENCE OVER THE BUILDING MANUAL SUPPLIED.
  - THE BUILDING, INCLUDING THE FOUNDATION, MUST BE CONSTRUCTED IN STRICT ACCORDANCE WITH THE DRAWING AND ERECTION INSTRUCTIONS. ANY DEVIATION, UNLESS APPROVED BY US IN WRITING, SHALL NULLIFY OUR CERTIFICATE AND SEAL AND SHALL BE THE SOLE RESPONSIBILITY OF THE ERECTOR.
  - A PROFESSIONAL ENGINEER SHOULD BE RETAINED WHERE SITE INSPECTIONS ARE WARRANTED.
  - NO ARCH PANEL MAY BE CUT OR MODIFIED UNLESS IT IS TO ACCOMMODATE AN ACCESSORY PROVIDED BY THE MANUFACTURER IN ACCORDANCE WITH ITS INSTRUCTIONS AND/OR THIS DRAWING.
  - MINIMUM SEPARATION FROM THIS BUILDING TO ANY TALLER BUILDING MUST BE THE SMALLER OF 20 FEET AND 6 TIMES THE HEIGHT DIFFERENCE.

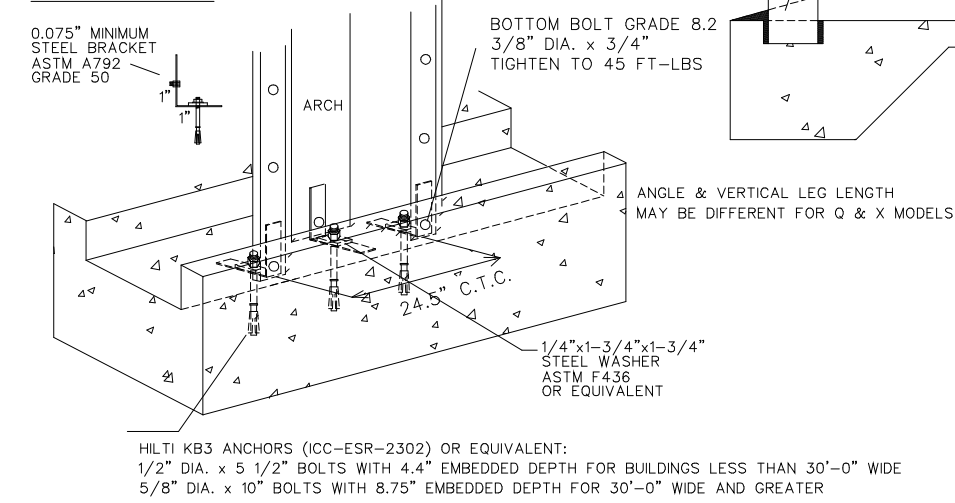
- FOUNDATION NOTES
- NOTE: THE FOUNDATION ON THE DRAWING SPECIFIES THE MINIMUM REQUIREMENTS. LOCAL BUILDING CODE AND SITE CONDITIONS MAY REQUIRE A STRONGER FOUNDATION, WHICH MUST BE DESIGNED BY A LOCAL ENGINEER.
- THE FOUNDATION SHALL BE FOUNDED ON NATURAL UNDISTURBED SOIL CAPABLE OF SAFELY SUSTAINING 75 kPa. THIS SHALL BE DESIGNED TO FULLY RESIST ALL ROTATION AT THE BASE OF THE ARCH.
  - SLAB ON GRADE SHALL BE PLACED ON WELL COMPACTED SOIL CAPABLE OF SUSTAINING 75 kPa WITHOUT APPRECIABLE SETTLEMENT.

- DESIGN DATA (MATERIALS)
- CONCRETE  $f'_c = 25 \text{ MPa} @ 28 \text{ DAYS}$ , CSA A23.3
  - REINFORCING STEEL GRADE 400,  $F_y = 400 \text{ MPa}$ , ASTM A615
  - W.W.R.  $F_y = 450 \text{ MPa}$ , ASTM A1064.
  - W.W.R. 152x152 - MW9xMW9.



FOUNDATION PLAN

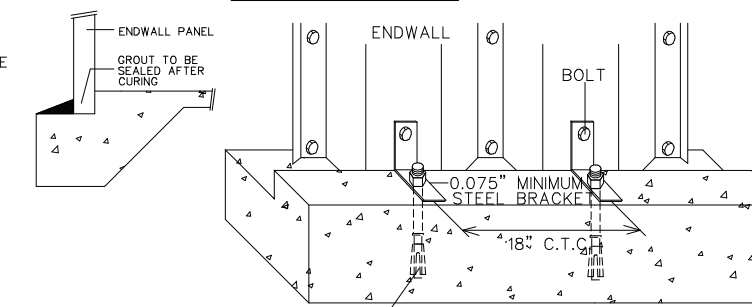
ARCH ANCHORAGE



HILTI KB3 ANCHORS (CC-ESR-2302) OR EQUIVALENT:  
 1/2" DIA. x 5 1/2" BOLTS WITH 4.4" EMBEDDED DEPTH FOR BUILDINGS LESS THAN 30'-0" WIDE  
 5/8" DIA. x 10" BOLTS WITH 8.75" EMBEDDED DEPTH FOR 30'-0" WIDE AND GREATER

FIRST ANCHOR BOLT LOCATION FROM END OF FOUNDATION:  
 • 2.5" WITHOUT MANUFACTURER'S ENDWALL  
 • 33.5" WITH MANUFACTURER'S ENDWALL  
 ARCHES AND MANUFACTURER'S ENDWALLS MUST BE GROUDED INTO FOUNDATION ON BOTH SIDES OF PANELS.

ENDWALL ANCHORAGE



FIRST ANCHOR BOLT LOCATION:  
 • SOLID ENDWALL = 9" FROM BUILDING CENTERLINE+18" C.T.C.  
 • OPEN ENDWALL = 11" FROM OPENING+18" C.T.C.

ENGINEER'S SEAL: