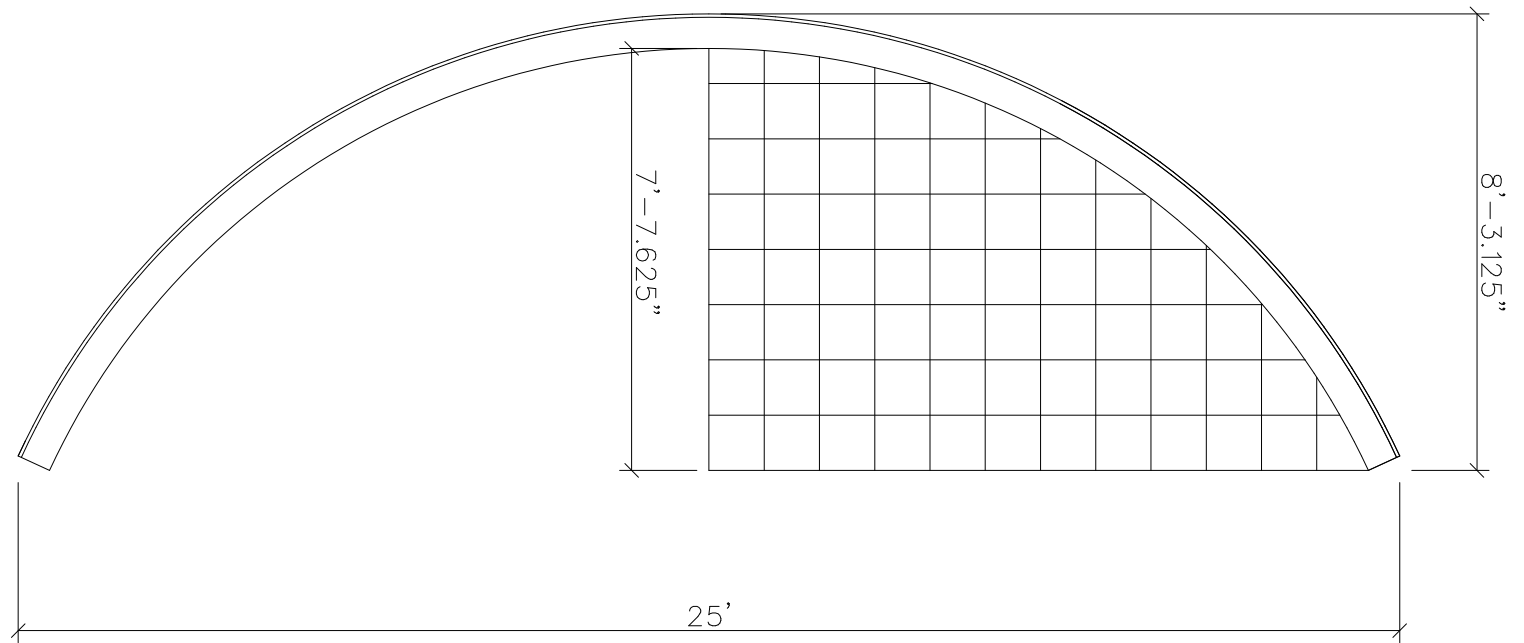
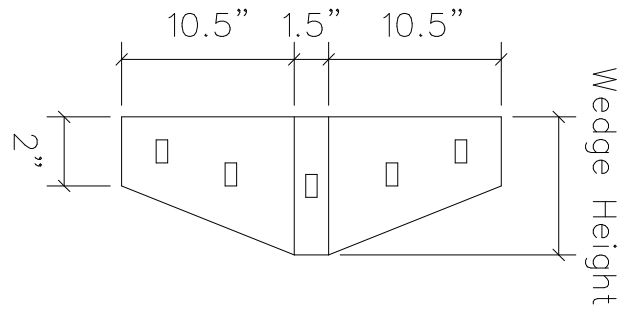


NOTE: THIS DRAWING IS PRELIMINARY. PLEASE REFER TO THE CERTIFIED BLUEPRINT FOR FINAL DIMENSIONS.

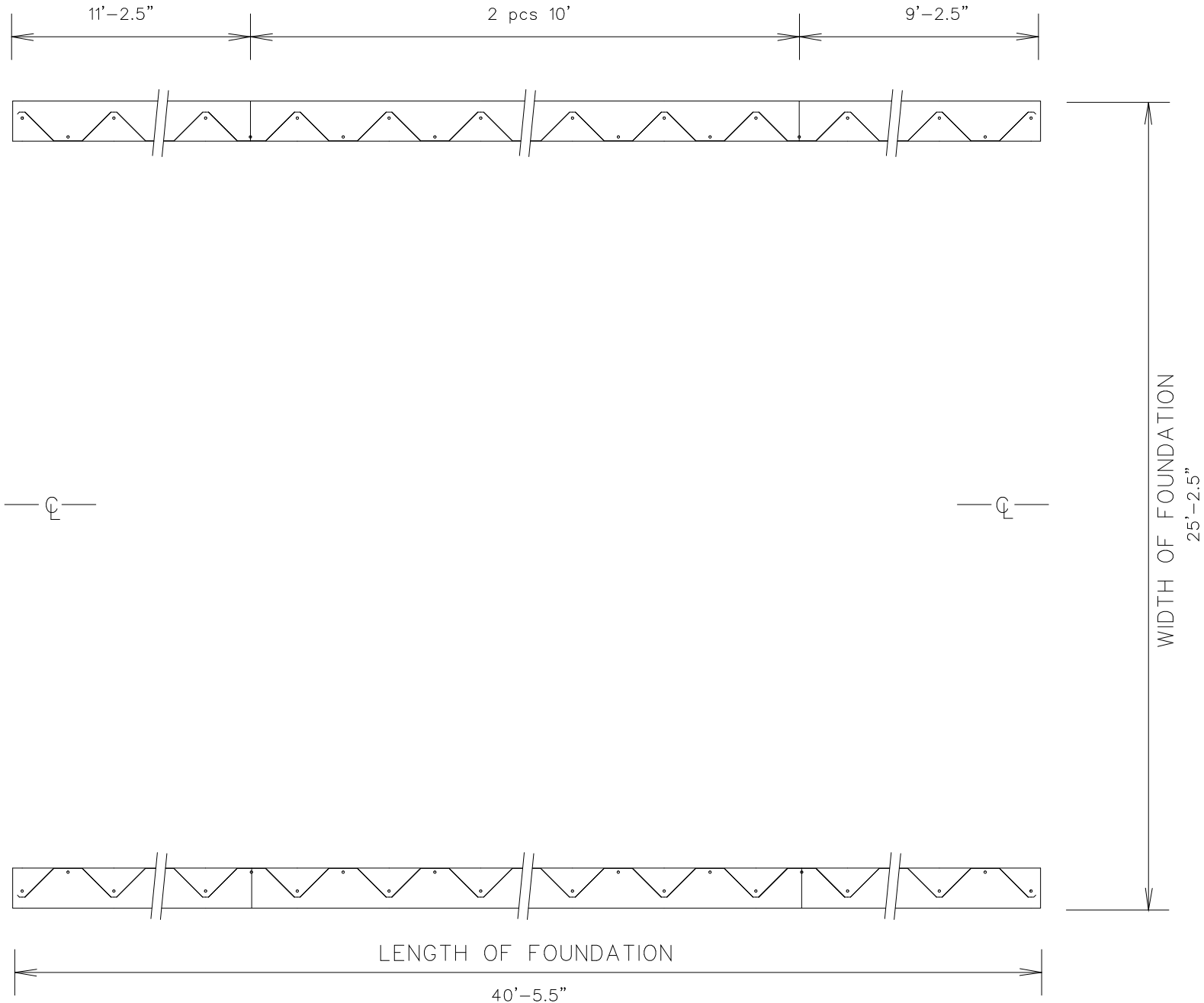
| Horizontal Distance | Inside Clearance |
|---------------------|------------------|
| 1' | 1'-10.5" |
| 2' | 3'-2" |
| 3' | 4'-2" |
| 4' | 5' |
| 5' | 5'-8.5" |
| 10' | 7'-6" |

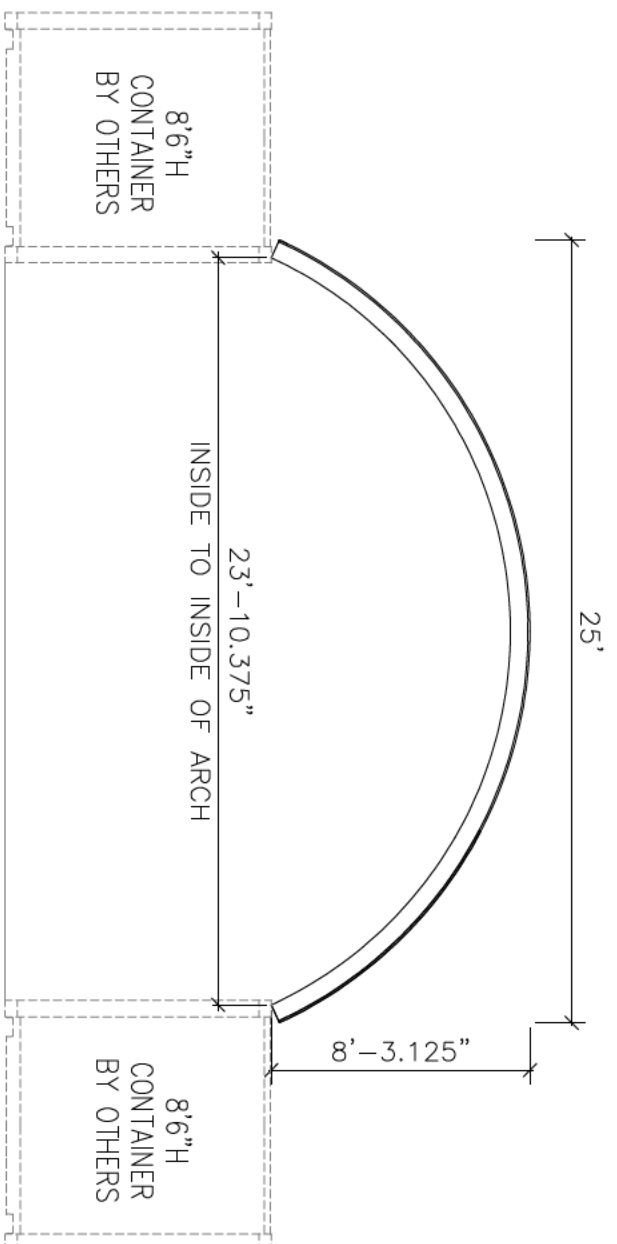


| | | | |
|-----------------------------|--------------------------|---------------------------------|---------------------------|
| Standard 120" panels: 3 | 1 short panel: 43.69 | bolts/arch: 104 | Date: 10/9/2020 |
| Endwall area, sq.ft: 143.69 | Volume/ft, cu.ft: 140.59 | Surface area/arch, sq.ft: 78.89 | Total arch length: 376.17 |

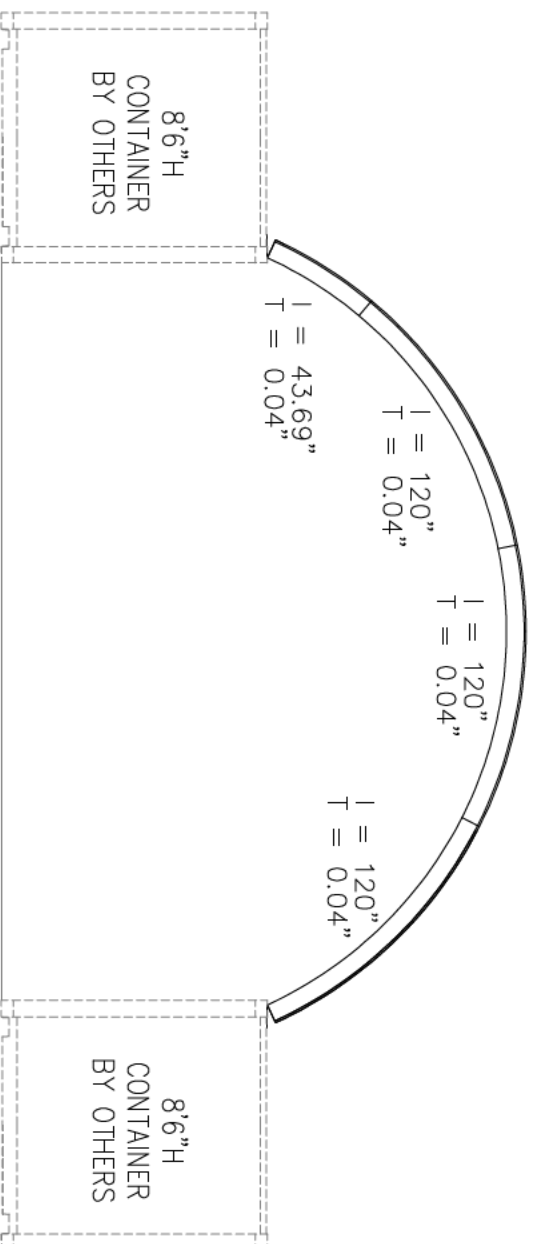
NOTE: THIS DRAWING IS PRELIMINARY. PLEASE REFER TO THE CERTIFIED BLUEPRINT FOR FINAL DIMENSIONS.

10/9/2020

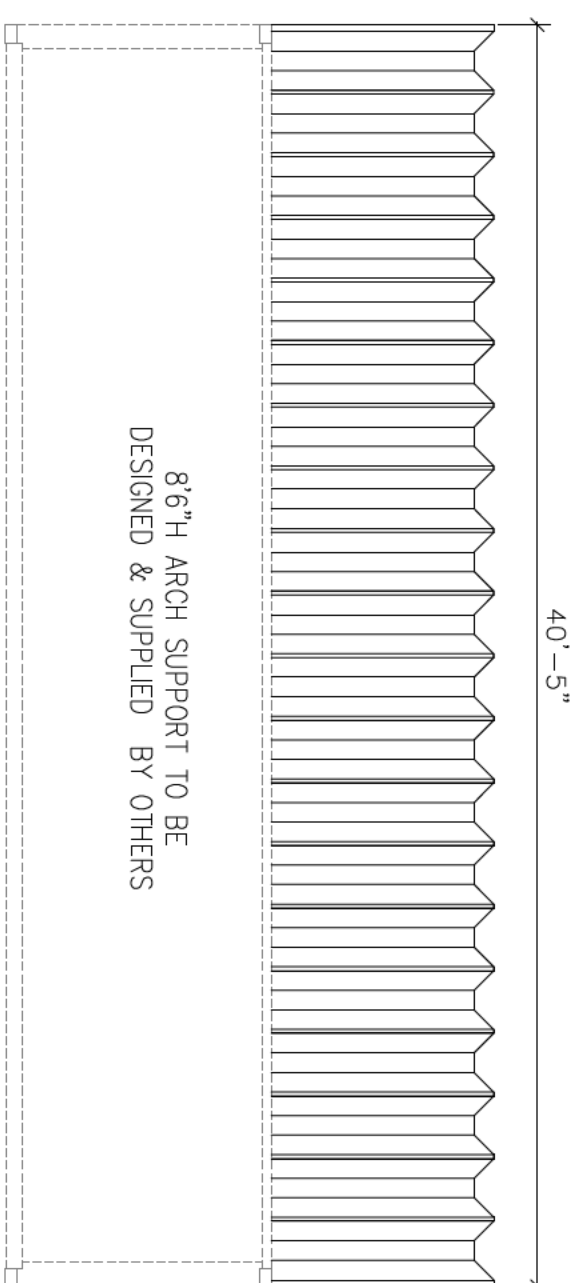




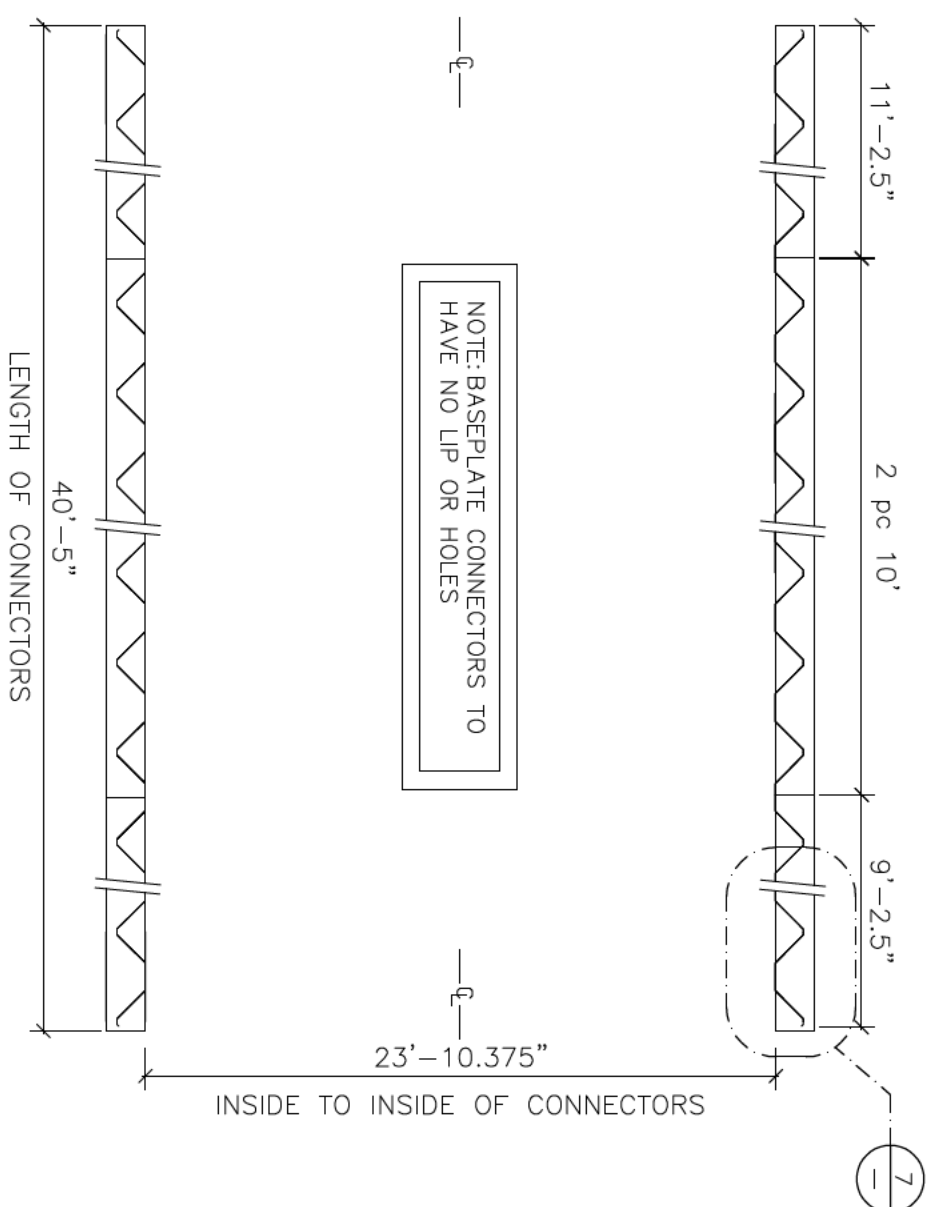
1 REAR ELEVATION



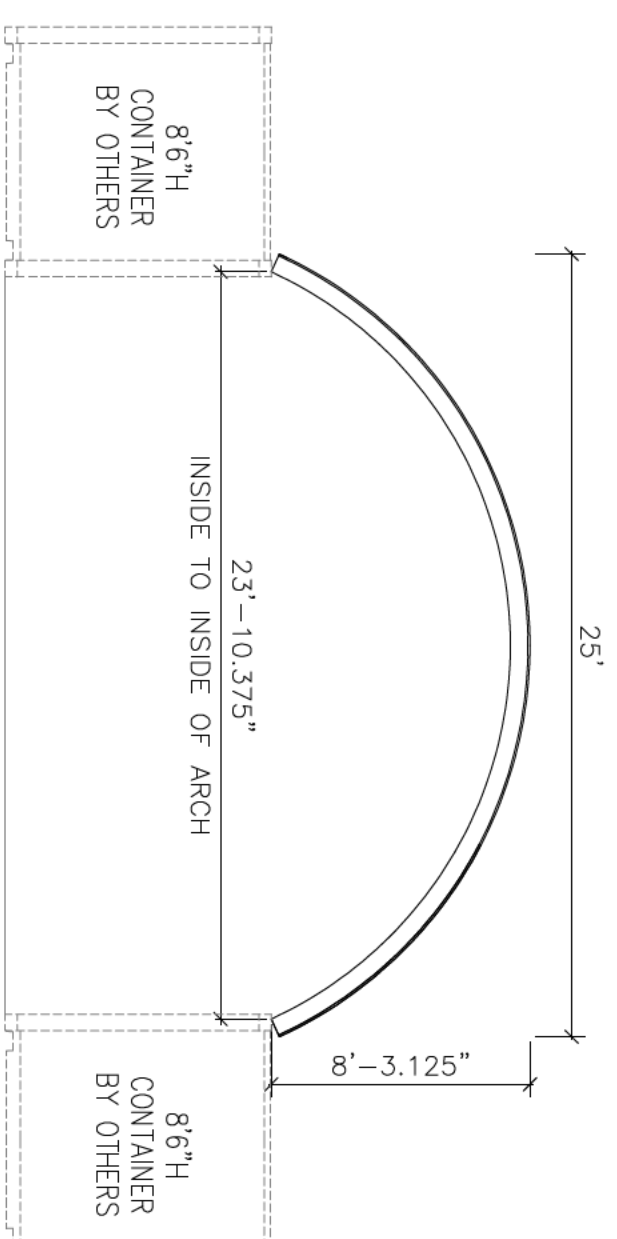
4 ARCH PROFILE



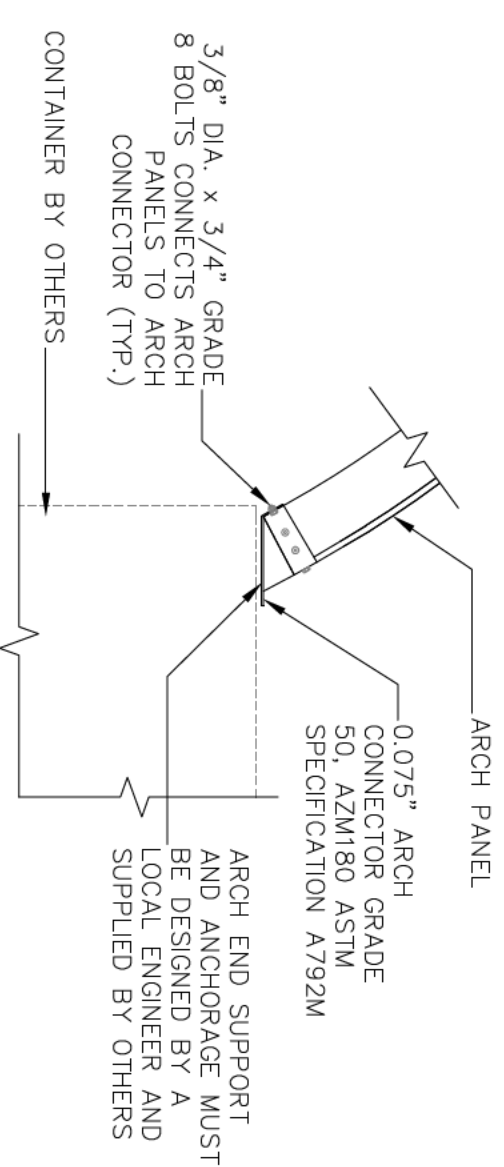
2 SIDE ELEVATION



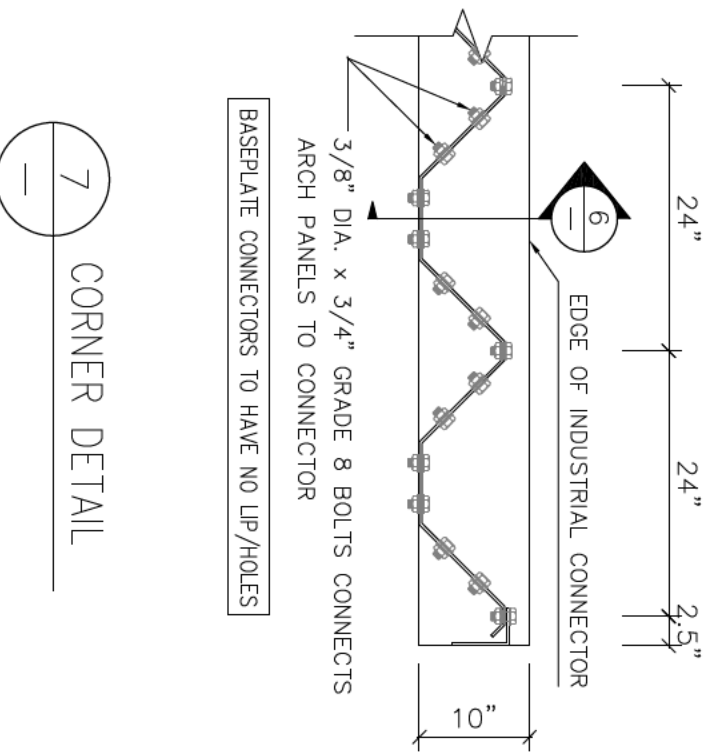
5 INDUSTRIAL CONNECTOR LAYOUT



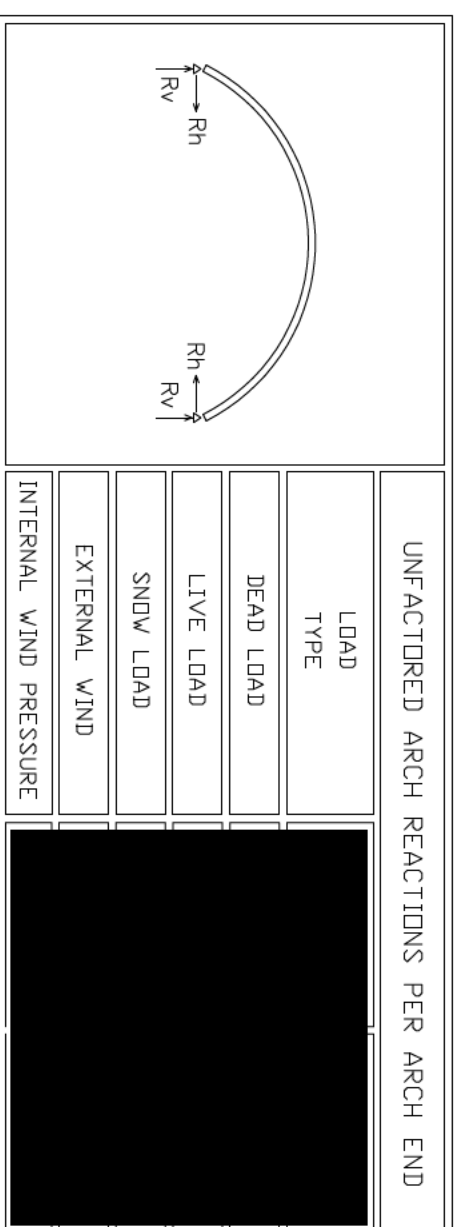
3 FRONT ELEVATION



6 ARCH BASE / CONNECTOR DETAIL



7 CORNER DETAIL

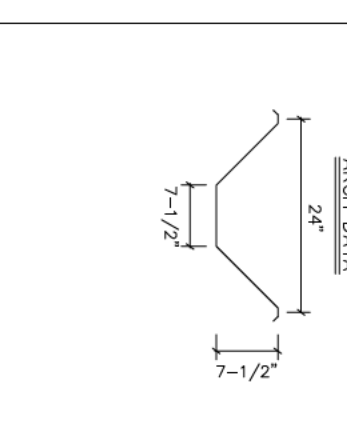


8 BOLT DATA

GENERAL NOTES

1. ALL MATERIAL AND WORKMANSHIP SHALL CONFORM WITH THE REQUIREMENTS OF THE LATEST REVISION OF THE NATIONAL BUILDING CODE 2015 & CBC 2018 OR/AND S136-12 NORTH AMERICAN CAN./CANS S136-12 NORTH AMERICAN SPECIFICATION FOR THE DESIGN OF COLD FORMED STEEL STRUCTURAL MEMBERS. (APPENDIX B)
2. NO LOADS OTHER THAN THOSE GIVEN UNDER DESIGN DATA, BESIDE SHALL BE IMPOSED ON THE STRUCTURE.
3. SPECIFIC NOTES AND DETAILS SHOWN ON THE DRAWINGS SHALL TAKE PRECEDENCE OVER THE BUILDING MANUAL SUPPLIED.

4. THE BUILDING, INCLUDING THE FOUNDATION, MUST BE CONSTRUCTED IN STRICT ACCORDANCE WITH THE DRAWING AND ERECTION INSTRUCTIONS. ANY DEVIATION FROM THE DRAWING SHALL BE THE SOLE RESPONSIBILITY OF THE ERECTOR. A PROFESSIONAL ENGINEER SHOULD BE WARRANTED.
5. A RETAINED WHERE SITE INSPECTIONS ARE REQUIRED.
6. NO ARCH PANEL MAY BE CUT OR MODIFIED UNLESS IT IS TO ACCOMMODATE AN ACCESSORY PROVIDED BY THE MANUFACTURER IN ACCORDANCE WITH ITS INSTRUCTIONS AND/OR THIS DRAWING.
7. MINIMUM SEPARATION FROM THIS BUILDING TO ANY TALLER BUILDING MUST BE THE SMALLER OF 20 FEET AND 6 TIMES THE HEIGHT DIFFERENCE.



8. THE ANCHORAGE & STRUCTURAL SUPPORT FOR OUR ROOF SYSTEM, THE ANCHORAGE OF THE CONTAINER TO A BASE AND THESE SHALL BE THE RESPONSIBILITY OF THE ERECTOR. UNFACTORED ARCH REACTIONS, SITE CONDITIONS AND BUILDING CODE REQUIREMENTS & SUPPLIED BY OTHERS.
9. OUR DESIGN IS LIMITED TO OUR ROOF SYSTEM ITSELF ONLY AND ASSUMES PROPER LEVEL SUPPORT & ANCHORAGE BY OTHERS.

BOLTS: SAE GRADE 2 OR ASTM A307
ARCH STEEL THICKNESS - SEE ARCH PROFILE

GALVALUME SHEET STEEL:
STRUCTURAL QUALITY ASTM SPECIFICATION A792M
555 ALUMINUM-ZINC ALLOY (HOT DIP COATING)
345 MPa MINIMUM YIELD
450 MPa MINIMUM TENSILE
OTHER SECTIONS SHALL CONFORM TO:
ASTM A36 (Fy = 250 MPa)

ENGINEERS SEAL:

LEGAL NOTE
This drawing is the property of Future Steel Buildings Int. Corp. Any duplication of this drawing in whole or in part is strictly forbidden. Anyone doing so will be prosecuted to the full extent of the law.



220 CHRISTLER DR., BRAMPTON, ONTARIO, CANADA (905) 796-8900